



CURRENT TRANSFORMERS (with Voltage Signal Output)

Model CV7 (Window Size: 2.50" Diameter)

Application: Generally used to provide 0 - 1.0Vac output with a current input. (Other secondary voltages also available)

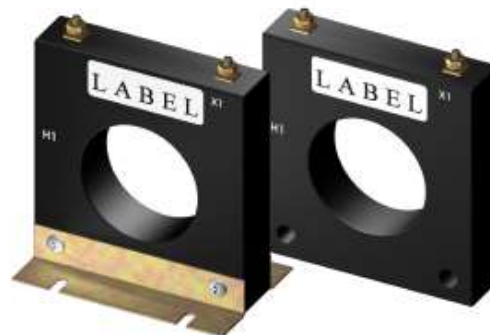
Frequency: 50-400 Hz

Insulation Level: 600 Volts, 10Kv BIL Full Wave

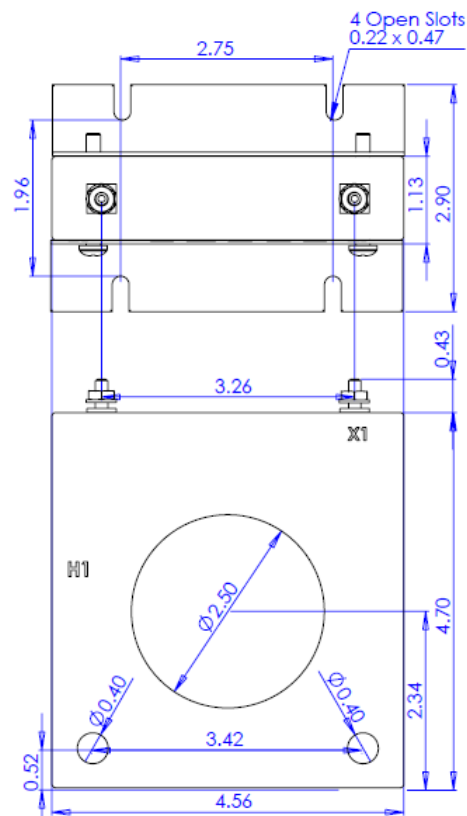
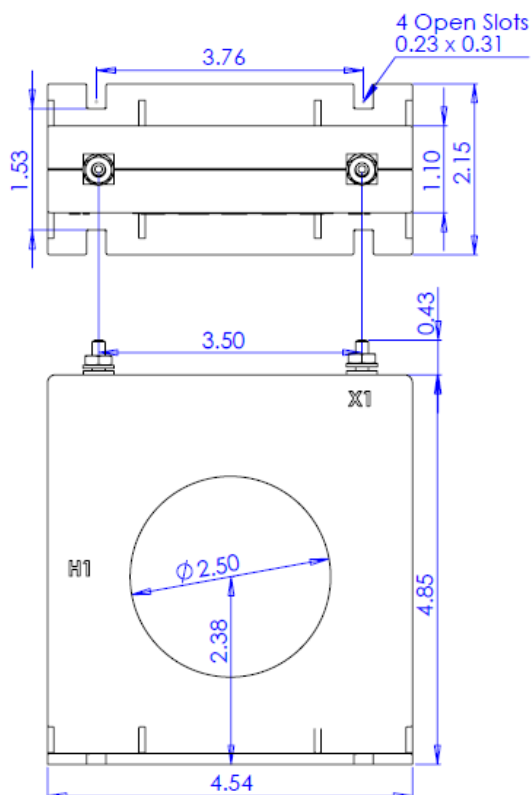
- Terminals are brass. Stud and Female options w/ hardware available. (See Page 2)
- Mounting bracket kits for the Model CV7SHT are sold separately. (Part Number 1121A00021-1)
- Approximate weight: 1.5 lbs.



CV7 SFT



CV7 SHT





CURRENT TRANSFORMERS

Model CV7 (Window Size: 2.50" Diameter)

Catalog Number	Primary Current/ Sec. Voltage	Accuracy at 60Hz	TRF @ 30C	TRF @55C
CV7 **-500-1	50A:1V	0.6%	1.0	0.8
CV7 **-600-1	60A:1V	0.6%	1.0	0.8
CV7 **-750-1	75A:1V	0.6%	1.0	0.8
CV7 **-800-1	80A:1V	0.6%	1.0	0.8
CV7 **-101-1	100A:1V	0.3%	1.0	0.8
CV7 **-121-1	120A:1V	0.3%	1.0	0.8
CV7 **-151-1	150A:1V	0.3%	1.0	0.8
CV7 **-201-1	200A:1V	0.3%	1.0	0.8
CV7 **-251-1	250A:1V	0.3%	1.0	0.8
CV7 **-301-1	300A:1V	0.3%	1.0	0.8
CV7 **-401-1	400A:1V	0.3%	1.0	0.8
CV7 **-501-1	500A:1V	0.3%	1.0	0.8
CV7 **-601-1	600A:1V	0.3%	1.0	0.8
CV7 **-751-1	750A:1V	0.3%	1.0	0.8
CV7 **-801-1	800A:1V	0.3%	1.0	0.8

**Note: When ordering, use prefix below to indicate unit designation/configuration. (i.e. CV7SFT-101-1)

SH-* = Square Case with mounting holes

SF-* = Square Case w/molded feet and terminals

T = Male (Brass studs No. 8-32 UNC with one flat washer, one lock washer and one nut each)

Y = Female (Brass with one Cup washer, one lock washer and one No. 8-32 UNC binding head screw each)



Y = Female Terminals



T = Male Terminals