



### 3 PHASE CURRENT TRANSFORMERS

Model 3P43 (**Window Size: 3.00" Diameter**)

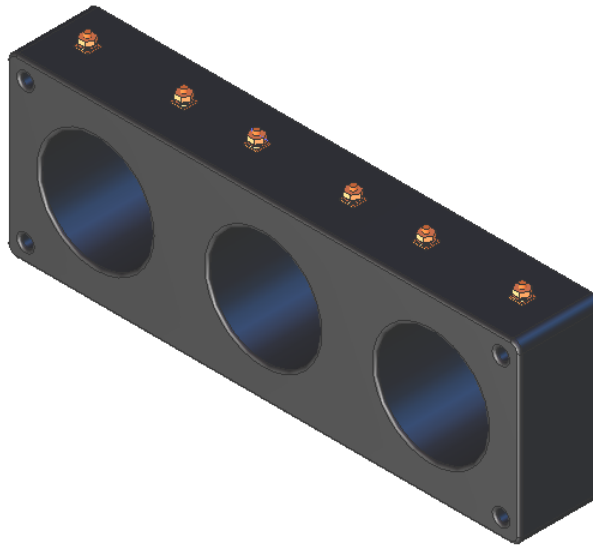
**Application:** Used with 3 phase metering and overload protection.

**Frequency:** 50-400 Hz

**Insulation Level:** 600 Volts, 10kV BIL Full Wave

**Standards:** CSA 66.1-06, CSA 66.2-06, and UL 506

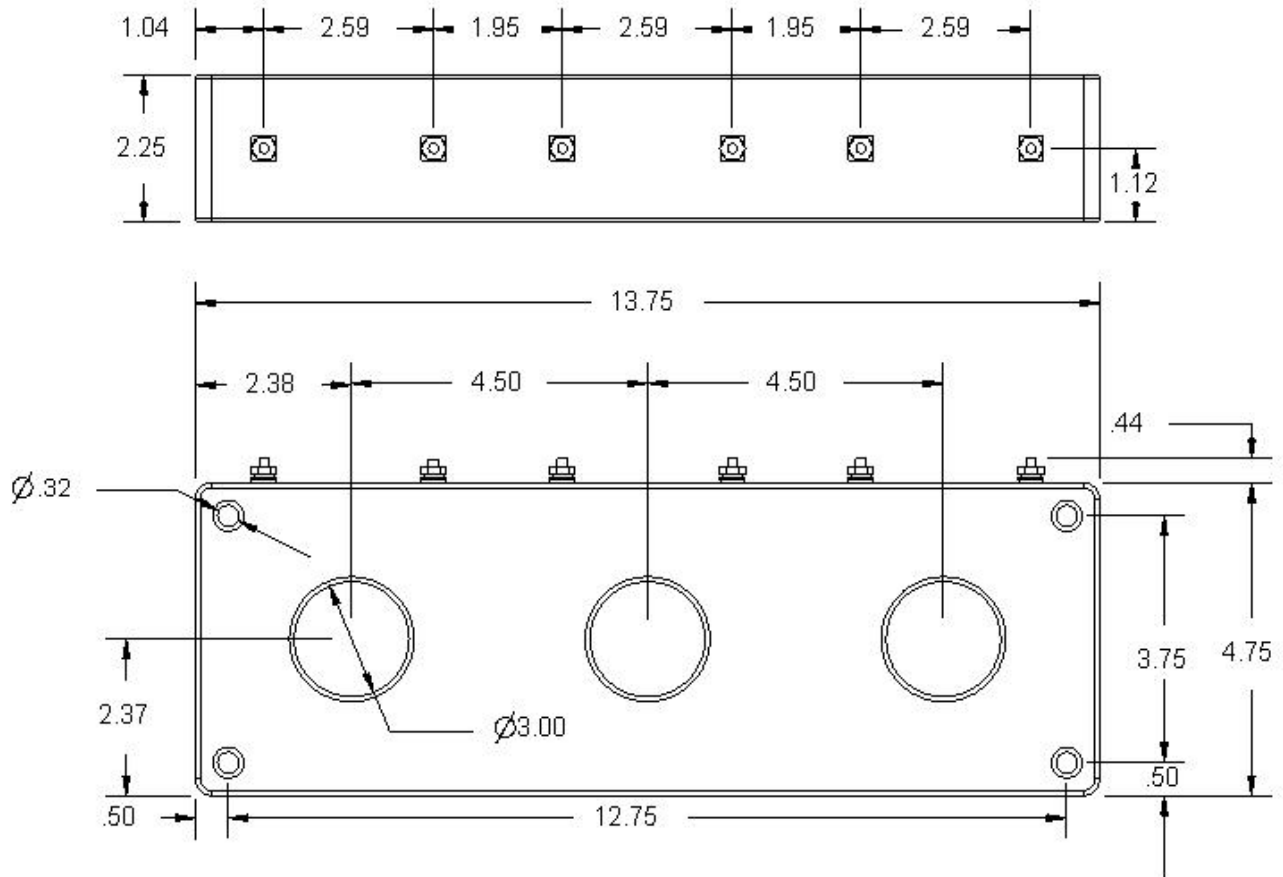
- Terminals are brass. Stud and Female options w/ hardware available. See Page 2.
- Approximate weight: 8.5 lbs.



Catalog Number	Current Ratio	Relay Class	ANSI Metering Class at 60 Hz					Secondary Winding Resistance ( $\Omega$ @ 75°C)	Continuous Thermal Rating Factor	
			B0.1	B0.2	B0.5	B0.9	B1.8		@ 30°C	@ 55°C
3P43-201	200:5	-	0.6	1.2	2.4	-	-	0.049	2.0	2.0
3P43-251	250:5	-	0.3	0.6	1.2	2.4	-	0.077	2.0	2.0
3P43-301	300:5	-	0.3	0.6	1.2	2.4	-	0.073	2.0	2.0
3P43-401	400:5	-	0.3	0.3	0.6	1.2	-	0.123	2.0	1.5
3P43-501	500:5	-	0.3	0.3	0.6	0.6	1.2	0.122	2.0	1.5
3P43-601	600:5	-	0.3	0.3	0.3	0.6	1.2	0.184	1.5	1.33
3P43-751	750:5	-	0.3	0.3	0.3	0.6	1.2	0.182	1.5	1.33
3P43-801	800:5	-	0.3	0.3	0.3	0.6	1.2	0.246	1.0	1.0
3P43-102	1000:5	-	0.3	0.3	0.3	0.3	0.6	0.307	1.0	1.0
3P43-122	1200:5	-	0.3	0.3	0.3	0.6	1.2	0.315	1.0	0.8
3P43-152	1500:5	-	0.3	0.3	0.3	0.3	1.2	0.395	1.0	0.8
3P43-162	1600:5	-	0.3	0.3	0.3	0.3	0.6	0.428	1.0	0.6
3P43-202	2000:5	-	0.3	0.3	0.3	0.3	0.6	0.532	0.8	0.6



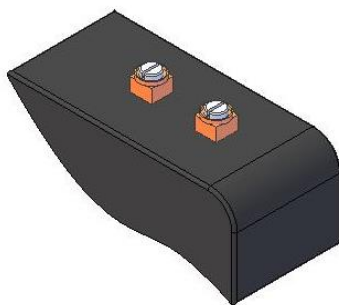
**3 PHASE CURRENT TRANSFORMERS**  
Model 3P43 (Window Size: 3.00" Diameter)



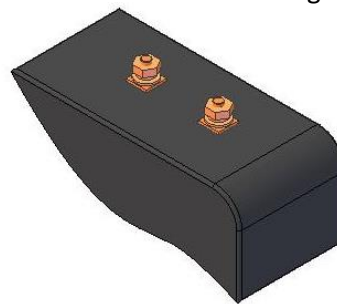
Note: When ordering, use prefix below to indicate unit designation/configuration.

T = Male (Brass studs No. 10-32 UNC with one flat washer, one lock washer and one nut each) (i.e. 3P43-101)

Y = Female (Brass with one Cup washer, one lock washer and one No. 8-32 UNC binding head screw each) (i.e. 3P43-101Y)



Y = Female Terminals



T = Male Terminals

\*X is to be replaced with "Y" or "T" for terminal or lead designation.