



3 PHASE CURRENT TRANSFORMERS

Model 3P40 (Window Size: 1.75" Diameter)

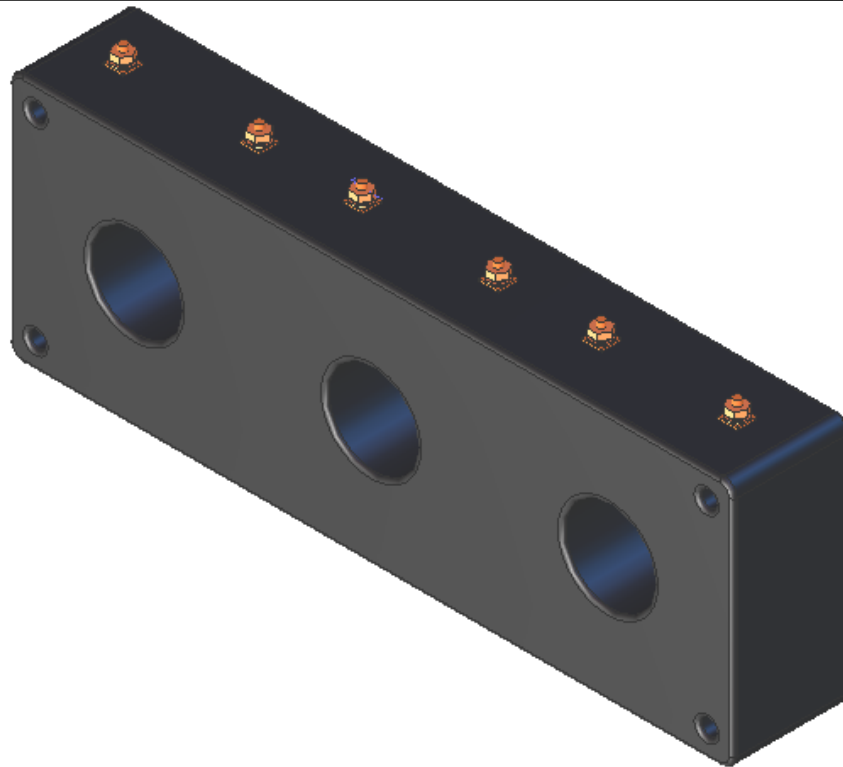
Application: Used with 3 phase metering and overload protection.

Frequency: 50-400 Hz

Insulation Level: 600 Volts, 10kV BIL Full Wave

Standards: CSA 66.1-06, CSA 66.2-06, and UL 506

- Terminals are brass. Stud and Female options w/ hardware available. See Page 2
- Approximate weight: 14 lbs.



Catalog Number	Current Ratio	Relay Class	ANSI Metering Class at 60 Hz					Secondary Winding Resistance (Ω @ 75°C)	Continuous Thermal Rating Factor	
			B0.1	B0.2	B0.5	B0.9	B1.8		@ 30°C	@ 55°C
3P40-101	100:5	-	0.6	1.2	2.4	4.8	-	0.033	2.0	2.0
3P40-151	150:5	-	0.6	0.6	1.2	2.4	4.8	0.049	2.0	2.0
3P40-201	200:5	C10	0.3	0.6	0.6	1.2	2.4	0.082	2.0	1.5
3P40-251	250:5	C10	0.3	0.3	0.6	0.6	1.2	0.103	2.0	1.5
3P40-301	300:5	C10	0.3	0.3	0.3	0.6	1.2	0.124	2.0	1.33
3P40-401	400:5	C20	0.3	0.3	0.3	0.6	1.2	0.131	1.5	1.0
3P40-501	500:5	C20	0.3	0.3	0.3	0.3	0.6	0.163	1.5	1.0

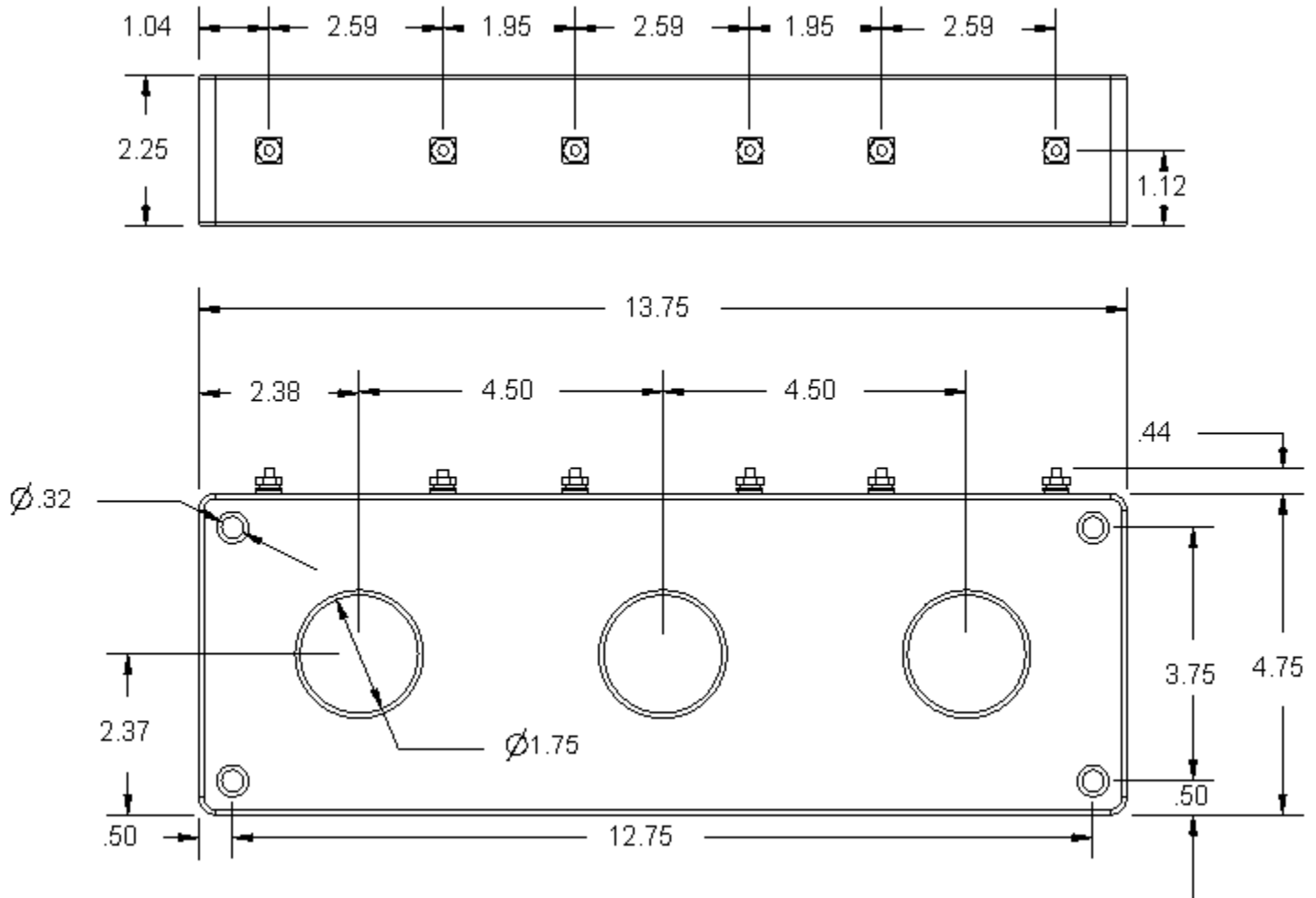


Electromagnetic Industries LLP

www.electromagnetic.biz

3 PHASE CURRENT TRANSFORMERS

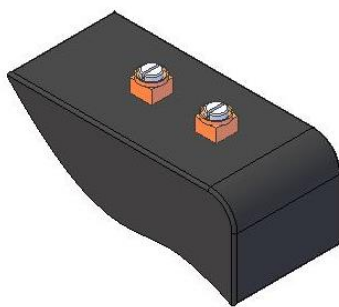
Model 3P40 (Window Size: 1.75" Diameter)



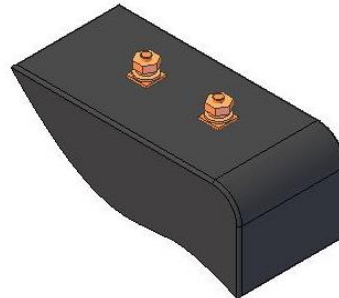
Note: When ordering, use prefix below to indicate unit designation/configuration.

T = Male (Brass studs No. 10-32 UNC with one flat washer, one lock washer and one nut each) (i.e. 3P40-101)

Y = Female (Brass with one Cup washer, one lock washer and one No. 8-32 UNC binding head screw each) (i.e. 3P40-101Y)



Y = Female Terminals



T = Male Terminals

*X is to be replaced with "Y" or "T" for terminal or lead designation.