



E238418



245941

## Model BGFL and GFP Relays

The Electromagnetic Industries GFP Ground Fault Relay was designed to be a Form/Fit/Function replacement to the BGFL relay with some added features.

### Similarities between the BGFL and GFP are:

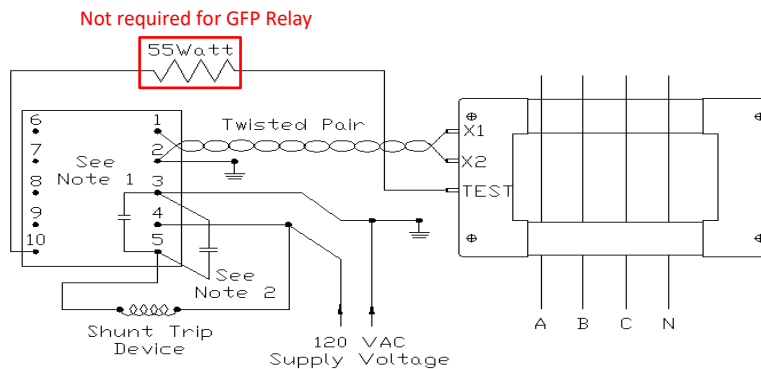
- 1) Units use the same sensor.
- 2) Units have the same terminal designation.
- 3) Units are the same size and have the same mounting locations/methods.
- 4) Units have the same Contact Ratings.
- 5) Units in the same UL and CSA files.
- 6) Units have identical operation (as the standard BGFL).

This allows for easy upgrade to the GFP with minimal effort or expense.

### The only differences are :

- 1) The GFP does not require the 55W resistor for the Test Circuit.
- 2) The GFP has a bar graph readout of Ground Fault Indication.
- 3) The GFP Time delay is a 16 position selector switch for better accuracy (vs the BGFL potentiometer)
- 4) The GFP has additional functions such as (Optional) Inverse Time Curves
- 5) GFP has a lower cost than the BGFL

### Typical Wiring Diagram for 120 VAC units



### BGFL to GFP Cross Reference

The Table to the right has the cross reference for the first three numeric designations for the most common BGFL and GFP relays.

Please note the last two to four digits designate the Ground Fault Protection range (i.e. "60" = 5 to 60A, "360" = 30 – 360A, "1200" = 100 – 1200A)

Example:

BGFL 159- 1200 = GFP 141-1200

Please refer to the GFP Relay Data sheet on our web site for additional options.

BGFL -XXX	GFP-XXX	Discription
129	121	Panel Mount, 48Vdc, w/o interlock
139	111	Panel Mount, 24Vdc, w/o interlock
149	131	Panel Mount, 125Vdc, w/o interlock
159	141	Panel Mount, 120Vac, w/o interlock
229	221	Door Mount, 48Vdc, w/o interlock
239	211	Door Mount, 24Vdc, w/o interlock
249	231	Door Mount, 125Vdc, w/o interlock
259	241	Door Mount, 120Vac, w/o interlock
127	122	Panel Mount, 48Vdc, w/ interlock
137	112	Panel Mount, 24Vdc, w/ interlock
147	132	Panel Mount, 125Vdc, w/ interlock
157	142	Panel Mount, 120Vac, w/ interlock
227	222	Door Mount, 48Vdc, w/ interlock
237	212	Door Mount, 24Vdc, w/ interlock
247	232	Door Mount, 125Vdc, w/ interlock
257	242	Door Mount, 120Vac, w/ interlock