

POTENTIAL TRANSFORMERS

Model 450 120 Volt

These transformers are encased in a thermoplastic case with the core and windings encapsulated in resin. They are designed for line-to-line operation but may also be used in line to neutral or line to ground configuration at 58% of rated voltage.

It is recommended that a 8 Amp BBS type fuse be used in the secondary to protect the transformer.

Frequency: 60 Hz. (50Hz Models are available, please contact.)

Standard Secondary Voltage: 120 VAC

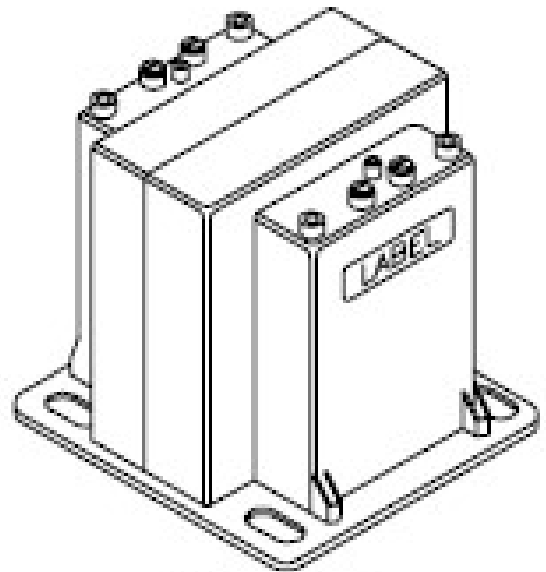
Insulation Level: 600 Volts, 10Kv BIL Full Wave

Accuracy Class: 0.3 @ W, X, M, & Y - 1.2 @ Z.
 Those marked * are 0.3 @ W, 0.6 @ X, M, & Y

Thermal Rating: 750VA @ 30°C. Amb., 500VA @ 55°C. Amb.

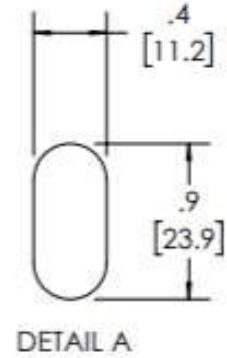
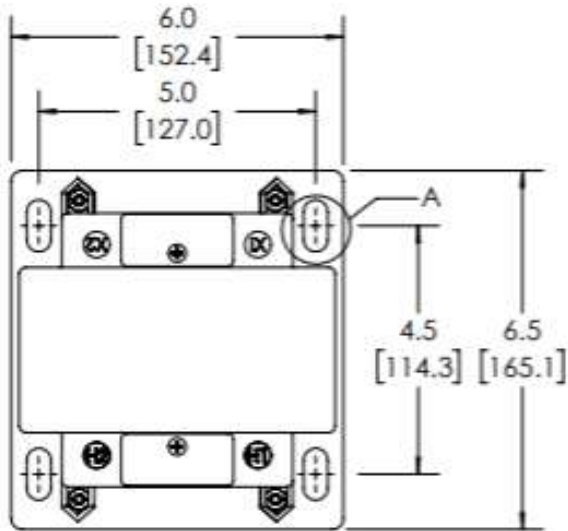
Weight: Approximately 25 lbs.

- Terminals are No. 10-32 brass screws into 3/8" deep brass female terminals and attached with flat washer, lock washer and nut.
- All transformers listed except for the 480v and 600v are ANSIC57.13 Group 1. The 480v and 600v are Group 2.

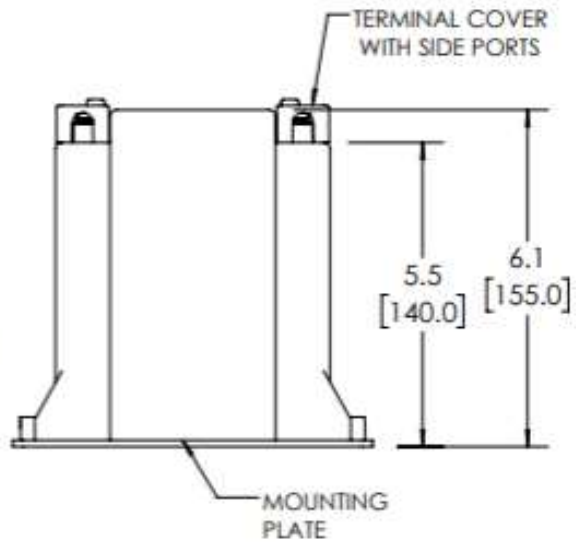
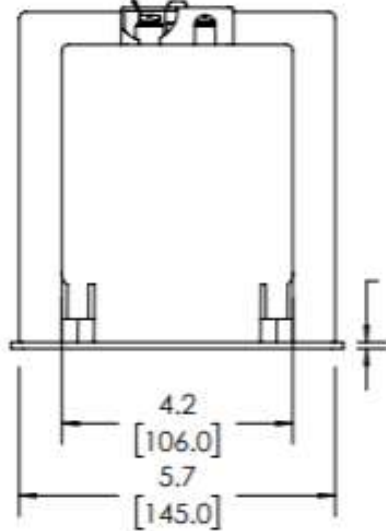


No Fuse

Catalog Number	Voltage Ratio	Turns Ratio	Recommended Primary Fuse Rating
450-069*	69.3:120	0.58:1	15A
450-120*	120:120	1:1	10A
450-208	208:120	1.73:1	8A
450-240	240:120	2:1	8A
450-277	277:120	2.31:1	8A
450-288	288:120	2.4:1	6A
450-300	300:120	2.5:1	6A
450-346	346:120	2.88:1	5A
450-480	480:120	4:1	4A
450-600	600:120	5:1	3A



#10-32 SCREW,
 LOCK WASHER &
 FLAT WASHER



Rev A 01 06 2025