



## CURRENT TRANSFORMERS

### Model 7RBL / 7RBT / 7RT (Window Size: 2.50" Diameter)

**Application:** Used with ammeters, watt meters and cross current compensation.

**Frequency:** 50-400 Hz

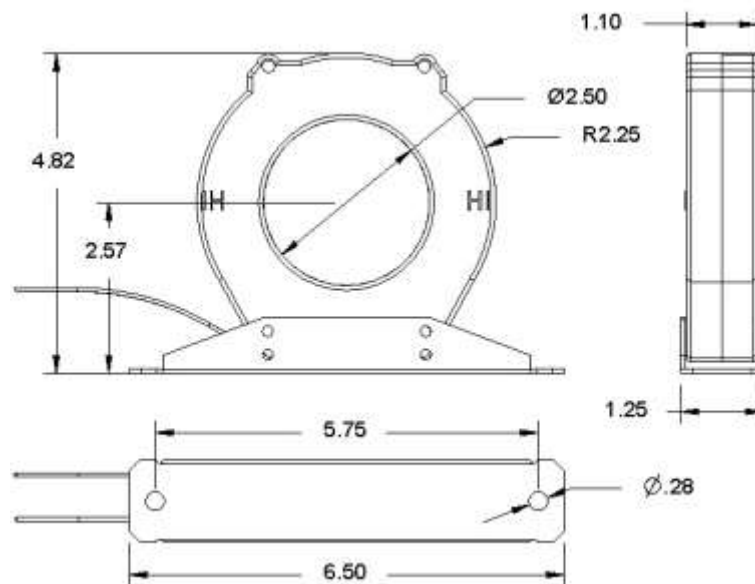
**Insulation Level:** 600 Volts, 10Kv BIL Full Wave

**Standards:** CSA 66.1-06, CSA 66.2-06, IEEE C 57.13, and UL 506

- Flexible leads available for all case configurations. Flexible leads are UL 1015 105°C, C.S.A approved #16 AWG, 24" long standard length. Non-standard lengths are available upon request.
- Terminals are brass No. 8-32 UNC with one flat washer, one lock washer and one nut each.
- Approximate weight: 1.5 lbs.



Model 7RBL





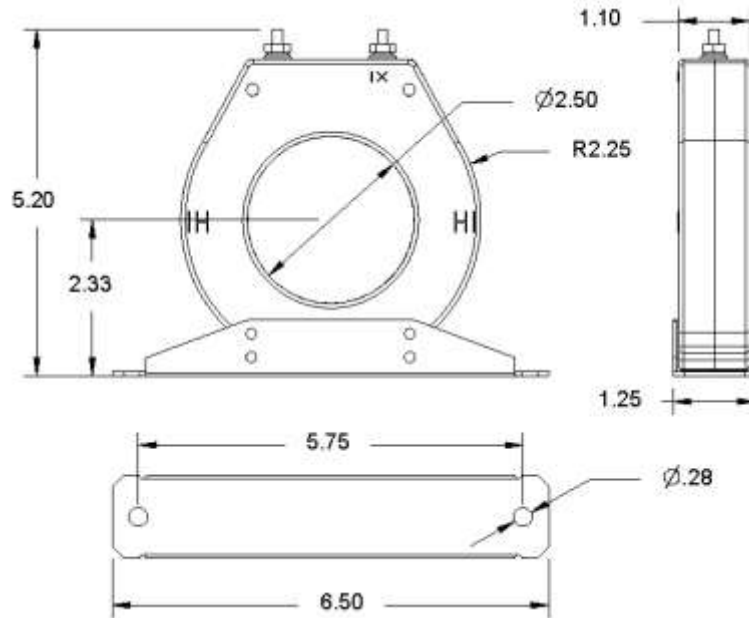
# Electromagnetic Industries LLP

[www.electromagnetic.biz](http://www.electromagnetic.biz)

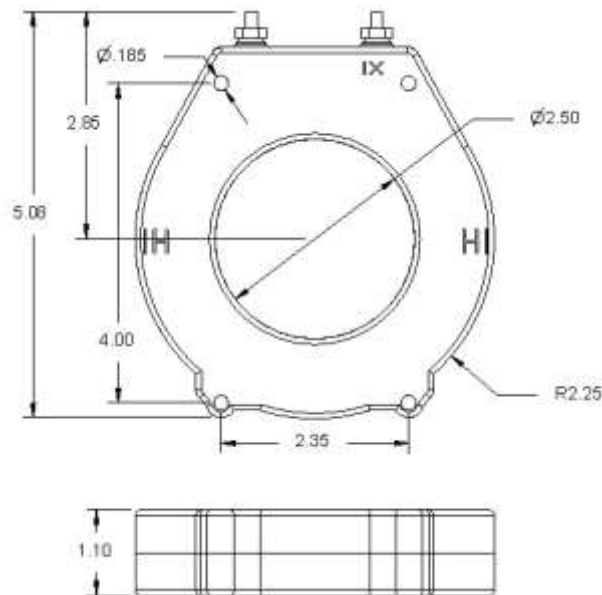
## CURRENT TRANSFORMERS

Model 7RBL / 7RBT / 7RT (Window Size: 2.50" Diameter)

Model 7RBT



Model 7RT





## CURRENT TRANSFORMERS

Model 7RBL / 7RBT / 7RT (Window Size: 2.50" Diameter)

Catalog Number	Current Ratio	Accuracy at 60 Hz	Burden VA at 60Hz
7 **--101	100:5	± 2%	2.5
7 **--151	150:5	± 1%	5.0
7 **--201	200:5	± 1%	5.0
7 **--251	250:5	± 1%	5.0
7 **--301	300:5	± 1%	12.5
7 **--401	400:5	± 1%	15.0
7 **--501	500:5	± 1%	25.0
7 **--601	600:5	± 1%	30.0
7 **--751	750:5	± 1%	30.0
7 **--801	800:5	± 1%	35.0
7 **--102	1000:5	± 1%	35.0
7 **--122	1200:5	± 1%	35.0
7 **--152	1500:5	± 1%	40.0
7 **--162	1600:5	± 1%	45.0

\*\*Note: When ordering, use prefix below to indicate unit designation/configuration. (i.e. 7RBL-101)

RBL = Round Case with Standard 24" leads. (Non-standard lengths are available upon request)

RBT = Round Case with Brass studs No. 8-32 UNC with one flat washer, one lock washer and one nut each.

RT = Round Case with Brass studs No. 8-32 UNC with one flat washer, one lock washer and one nut each.