



CURRENT TRANSFORMERS

Model 7 (Window Size: 2.50" Diameter)

Application: Used with ammeters, watt meters and cross current compensation.

Frequency: 50-400 Hz

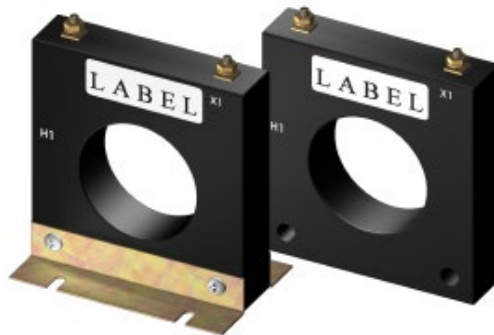
Insulation Level: 600 Volts, 10Kv BIL Full Wave

Standards: CSA 66.1-06, CSA 66.2-06, IEEE C 57.13, and UL 506

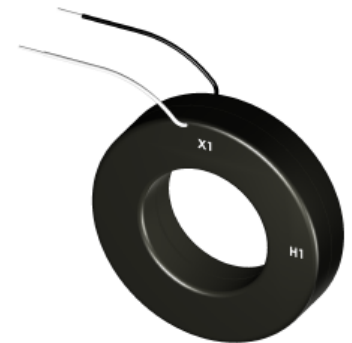
- Flexible leads available for all case configurations. Flexible leads are UL 1015 105°C, C.S.A approved #16 AWG, 24" long standard length. Non-standard lengths are available upon request.
- Terminals are brass. Stud and Female options w/ hardware available. See Page 2 (Note: Terminals are only available on the square case configuration.)
- Mounting bracket kits for the Model 7SHT or 7SHL are available.
- Approximate weight: 1.5 lbs.



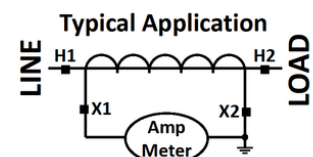
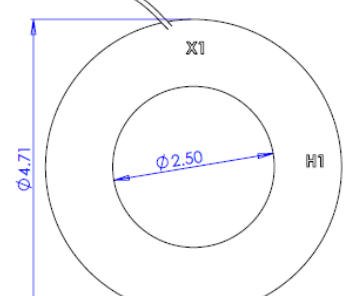
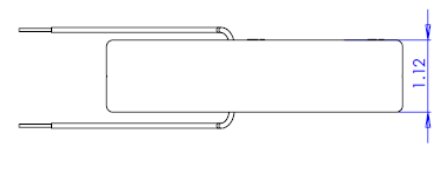
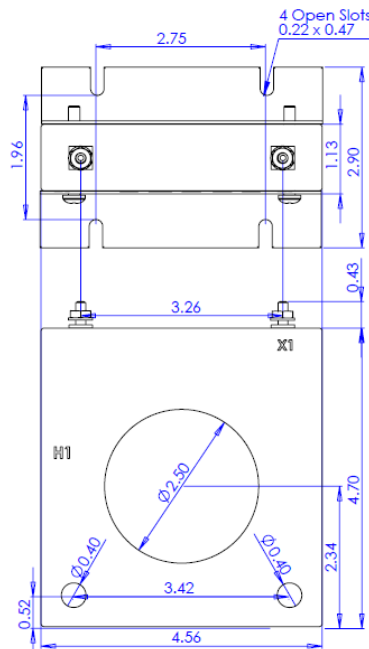
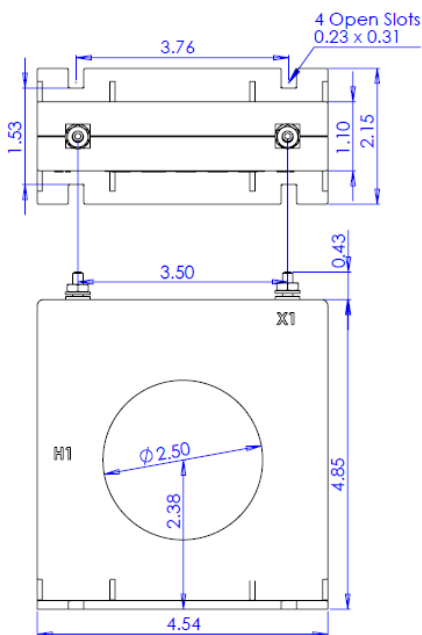
7SFT



7SHT



7RL



*Note - Mounting bracket kits for the Model 7SHT or 7SHL are available. (sold separately Part Number 1121A00021-1)



CURRENT TRANSFORMERS

Model 7 (Window Size: 2.50" Diameter)

Catalog Number	Current Ratio	Accuracy at 60 Hz	Burden VA at 60Hz
7 **--101	100:5	± 2%	2.5
7 **--151	150:5	± 1%	5.0
7 **--201	200:5	± 1%	5.0
7 **--251	250:5	± 1%	5.0
7 **--301	300:5	± 1%	12.5
7 **--401	400:5	± 1%	15.0
7 **--501	500:5	± 1%	25.0
7 **--601	600:5	± 1%	30.0
7 **--751	750:5	± 1%	30.0
7 **--801	800:5	± 1%	35.0
7 **--102	1000:5	± 1%	35.0
7 **--122	1200:5	± 1%	35.0
7 **--152	1500:5	± 1%	40.0
7 **--162	1600:5	± 1%	45.0

**Note: When ordering, use prefix below to indicate unit designation/configuration. (i.e. 7SFT-101)

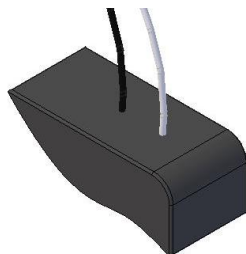
RL = Thin Round Case with Standard 24" leads (Non-standard lengths are available upon request)

SHX* = Square Case with mounting holes

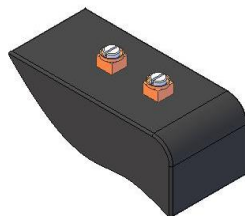
SFX* = Square Case w/molded feet and terminals

T = Male (Brass studs No. 8-32 UNC with one flat washer, one lock washer and one nut each)

Y = Female (Brass with one Cup washer, one lock washer and one No. 8-32 UNC binding head screw each)



L = 16awg Lead Wire



Y = Female Terminals



T = Male Terminals

*X is to be replaced with "L", "Y" or "T" for terminal or lead designation.

*Note - Mounting bracket kits for the Model 7SHT or 7SHL are available. (sold separately Part Number 1121A00021-1)