



CURRENT TRANSFORMERS

Model 781-601MR (Window Size: 6.50" Diameter)

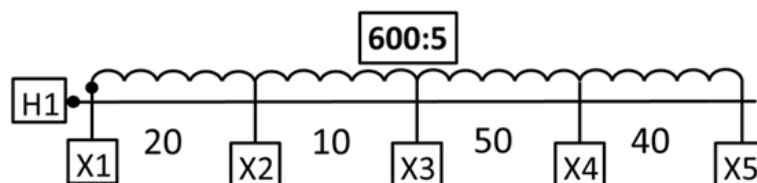
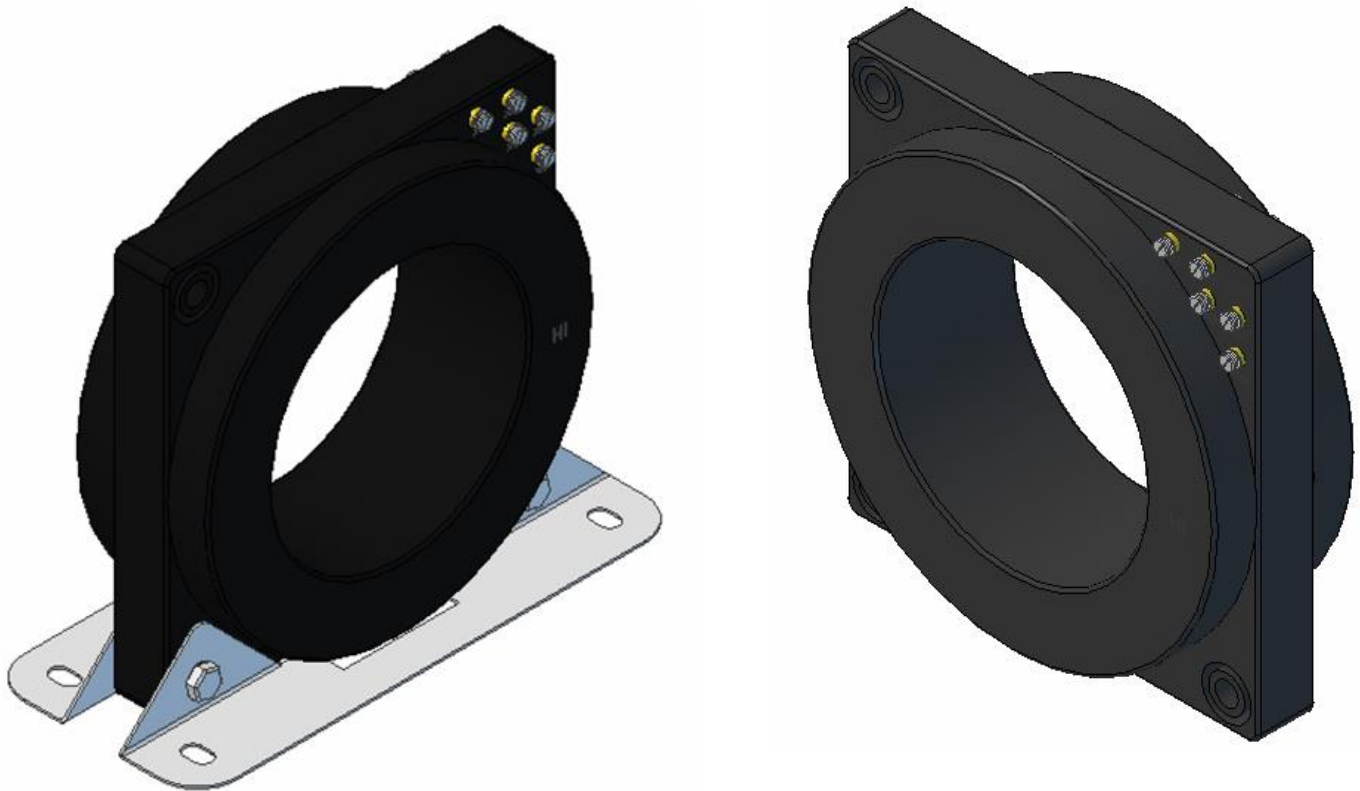
Application: Used with ammeters, watt meters and cross current compensation.

Frequency: 50-400 Hz

Insulation Level: 600 Volts, 10Kv BIL Full Wave

Standards: CSA 66.1-06, CSA 66.2-06, IEEE C 57.13, and UL 506

- Terminals are Female Brass No. 10-32 UNC with one flat washer, one lock washer and one pan head screw each.
- Approximate weight: 30 lbs.
- Mounting Bracket Kits are sold separately (P/N Bracket 780 Kit-3)





CURRENT TRANSFORMERS

Model 781-601MR (**Window Size: 6.50" Diameter**)

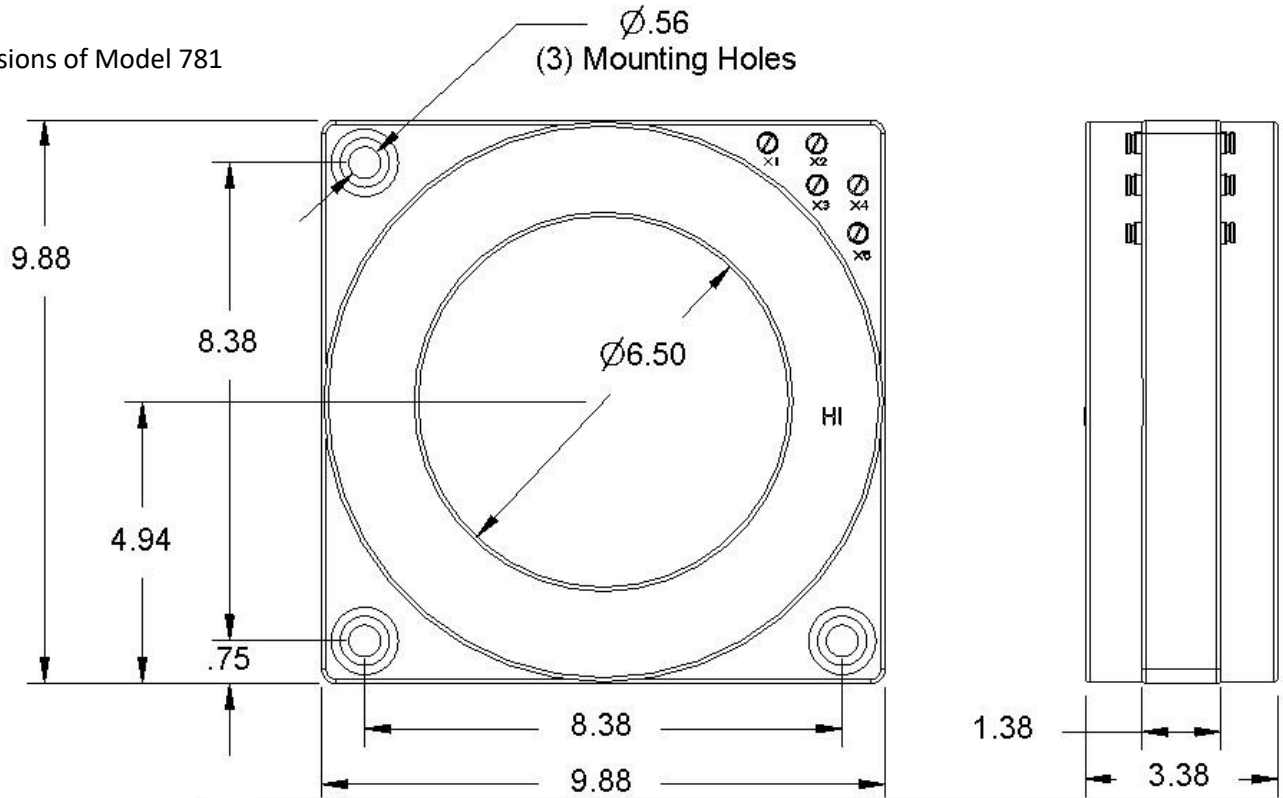
Model	Ratio	Terminal Designation	Relay Class	ANSI METERING CLASS AT 60 Hz					Secondary Winding Resistance
				B0.1	B0.2	B0.5	B0.9	B1.8	
781-601MR	50:5	X2 - X3	-	4.8	--	--	--	--	0.019
781-601MR	100:5	X1 - X2	C10	2.4	2.4	4.8	--	--	0.039
781-601MR	150:5	X1 - X3	C20	1.2	1.2	2.4	4.8	--	0.054
781-601MR	200:5	X4 - X5	C20	0.6	0.6	1.2	2.4	4.8	0.08
781-601MR	250:5	X3 - X4	C20	0.6	0.6	1.2	1.2	2.4	0.091
781-601MR	300:5	X2 - X4	C20	0.3	0.6	0.6	1.2	2.4	0.109
781-601MR	400:5	X1 - X4	C50	0.3	0.3	0.6	0.6	1.2	0.141
781-601MR	450:5	X3 - X5	C50	0.15	0.3	0.3	0.6	0.6	0.169
781-601MR	500:5	X2 - X5	C50	0.15	0.15	0.3	0.6	0.6	0.186
781-601MR	600:5	X1 - X5	C100	0.15	0.15	0.3	0.3	0.6	0.221



Electromagnetic Industries LLP

www.electromagnetic.biz

Dimensions of Model 781



Dimensions of Model 781
With Brackets

