



## CURRENT TRANSFORMERS

### Model 781-302MR (Window Size: 6.50" Diameter)

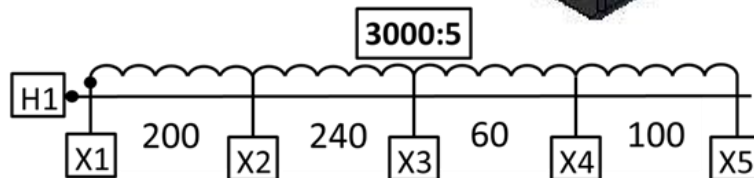
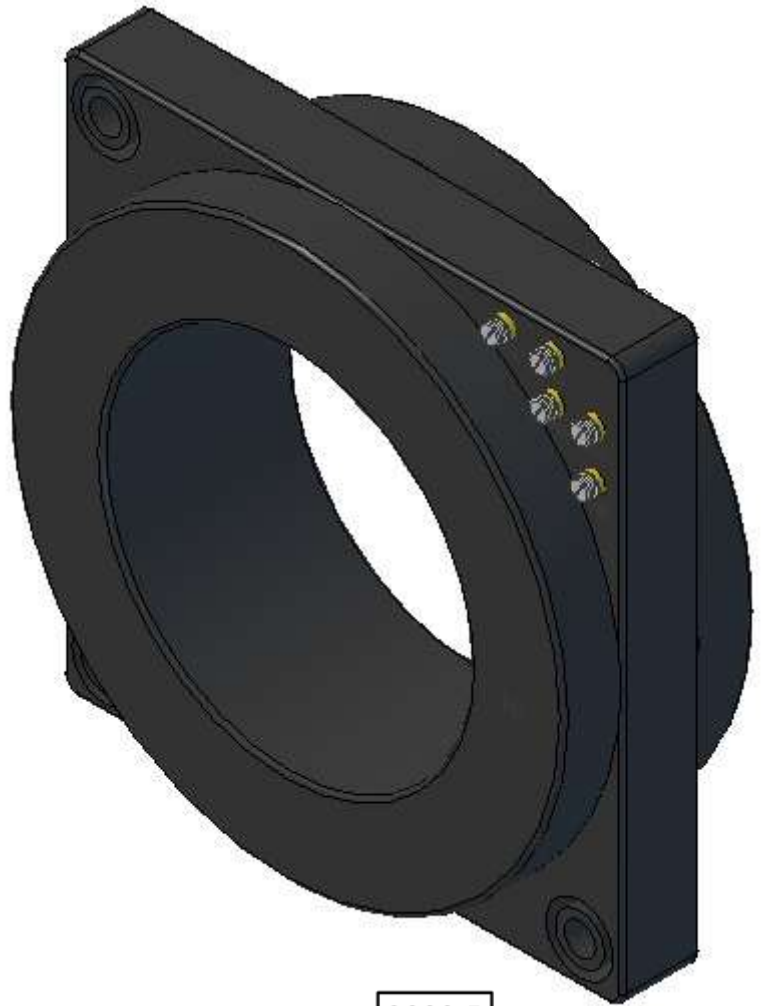
**Application:** Used with ammeters, watt meters and cross current compensation.

**Frequency:** 50-400 Hz

**Insulation Level:** 600 Volts, 10Kv BIL Full Wave

**Standards:** CSA 66.1-06, CSA 66.2-06, IEEE C 57.13, and UL 506

- Terminals are Female Brass No. 10-32 UNC with one flat washer, one lock washer and one pan head screw each.
- Approximate weight: 30 lbs.





**CURRENT TRANSFORMERS**

Model 781-302MR (Window Size: 6.50" Diameter)

| Model     | Ratio  | Terminal Designati | Relay Class | ANSI METERING CLASS AT 60 Hz |      |      |      |      | Secondary Winding Resistance |
|-----------|--------|--------------------|-------------|------------------------------|------|------|------|------|------------------------------|
|           |        |                    |             | B0.1                         | B0.2 | B0.5 | B0.9 | B1.8 |                              |
| 781-302MR | 300:5  | X3 - X4            | C10         | 0.6                          | 1.2  | 1.2  | 2.4  | 4.8  | 0.071                        |
| 781-302MR | 500:5  | X4 - X5            | C20         | 0.6                          | 0.6  | 1.2  | 1.2  | 2.4  | 0.115                        |
| 781-302MR | 800:5  | X3 - X5            | C20         | 0.3                          | 0.3  | 0.3  | 0.6  | 0.6  | 0.181                        |
| 781-302MR | 1000:5 | X1 - X2            | C50         | 0.15                         | 0.3  | 0.3  | 0.3  | 0.6  | 0.203                        |
| 781-302MR | 1200:5 | X2 - X3            | C50         | 0.15                         | 0.15 | 0.15 | 0.3  | 0.3  | 0.255                        |
| 781-302MR | 1500:5 | X2 - X4            | C50         | 0.15                         | 0.15 | 0.15 | 0.15 | 0.3  | 0.324                        |
| 781-302MR | 2000:5 | X2 - X5            | C100        | 0.15                         | 0.15 | 0.15 | 0.15 | 0.15 | 0.435                        |
| 781-302MR | 2200:5 | X1 - X3            | C100        | 0.15                         | 0.15 | 0.15 | 0.15 | 0.15 | 0.456                        |
| 781-302MR | 2500:5 | X1 - X4            | C100        | 0.15                         | 0.15 | 0.15 | 0.15 | 0.15 | 0.524                        |
| 781-302MR | 3000:5 | X1 - X5            | C200        | 0.15                         | 0.15 | 0.15 | 0.15 | 0.15 | 0.635                        |

