



CURRENT TRANSFORMERS

Model 781-202MR (Window Size: 6.50" Diameter)

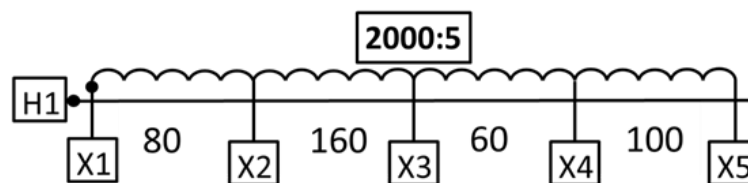
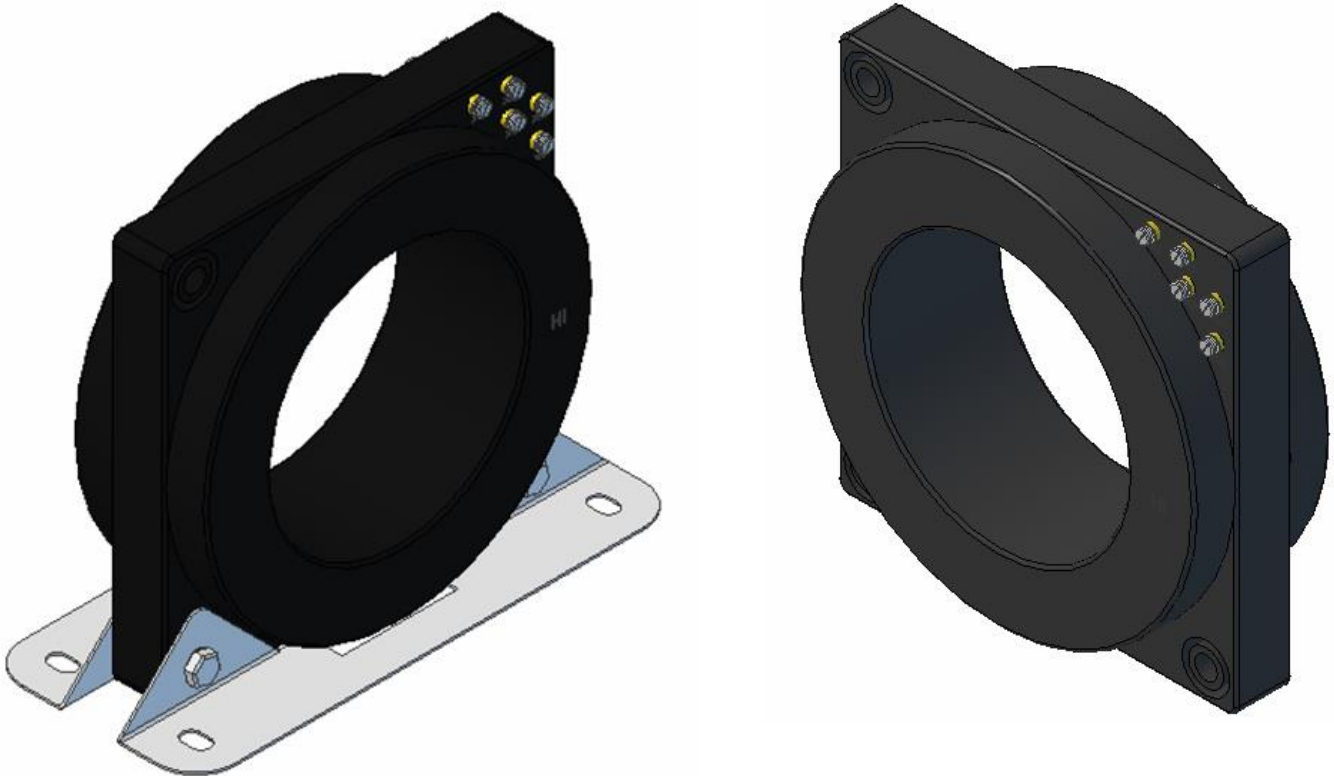
Application: Used with ammeters, watt meters and cross current compensation.

Frequency: 50-400 Hz

Insulation Level: 600 Volts, 10Kv BIL Full Wave

Standards: CSA 66.1-06, CSA 66.2-06, IEEE C 57.13, and UL 506

- Terminals are Female Brass No. 10-32 UNC with one flat washer, one lock washer and one pan head screw each.
- Approximate weight: 30 lbs.
- Mounting Bracket Kits are sold separately (P/N Bracket 780 Kit-3)





CURRENT TRANSFORMERS

Model 781-202MR (Window Size: 6.50" Diameter)

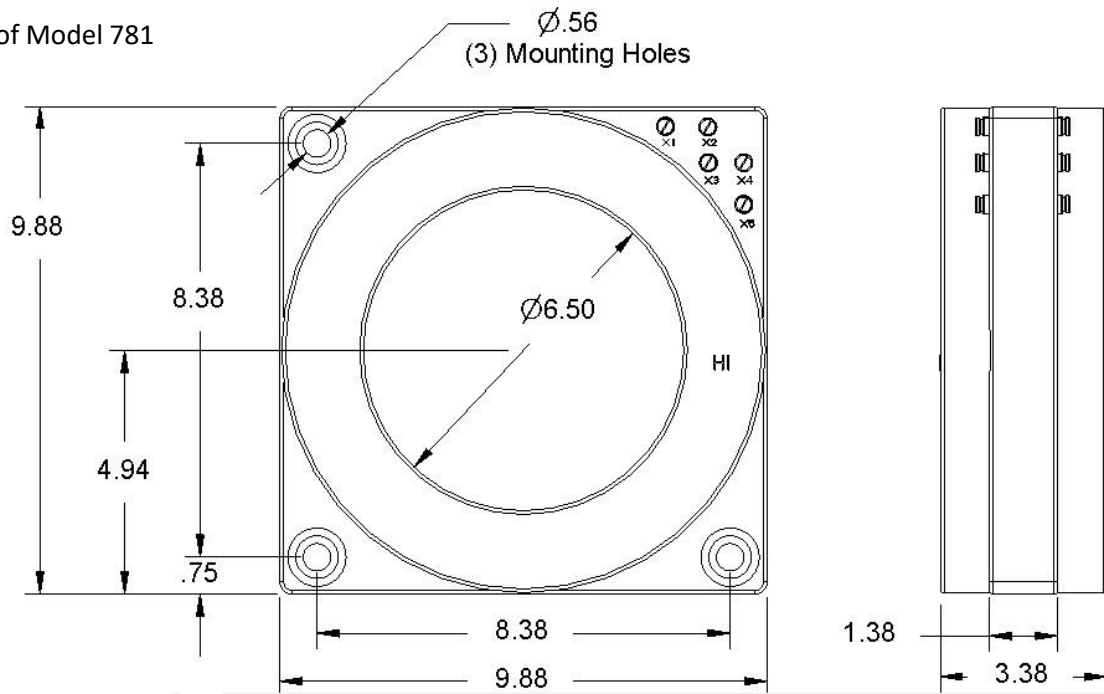
Model	Ratio	Terminal Designation	Relay Class	ANSI METERING CLASS AT 60 Hz					Secondary Winding Resistance
				B0.1	B0.2	B0.5	B0.9	B1.8	
781-202MR	300:5	X3 - X4	C20	0.6	1.2	1.2	2.4	2.4	0.078
781-202MR	400:5	X1 - X2	C20	0.6	0.6	1.2	1.2	2.4	0.983
781-202MR	500:5	X4 - X5	C50	0.15	0.3	0.3	0.6	1.2	0.128
781-202MR	800:5	X2 - X3	C50	0.15	0.15	0.15	0.3	0.6	0.194
781-202MR	1100:5	X2 - X4	C100	0.15	0.15	0.15	0.15	0.3	0.261
781-202MR	1200:5	X1 - X3	C100	0.15	0.15	0.15	0.15	0.3	0.283
781-202MR	1500:5	X1 - X4	C100	0.15	0.15	0.15	0.15	0.15	0.354
781-202MR	1600:5	X2 - X5	C100	0.15	0.15	0.15	0.15	0.15	0.387
781-202MR	2000:5	X1 - X5	C200	0.15	0.15	0.15	0.15	0.15	0.480



Electromagnetic Industries LLP

www.electromagnetic.biz

Dimensions of Model 781



Dimensions of Model 781 With Brackets

