



CURRENT TRANSFORMERS

Model 781-122MR (Window Size: 6.50" Diameter)

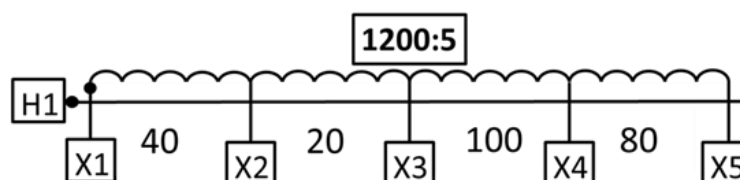
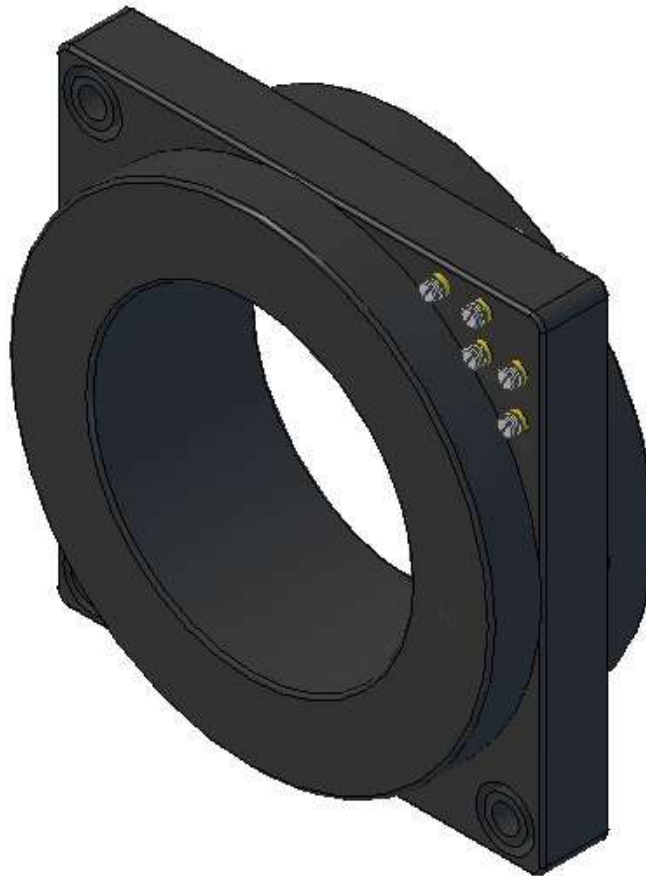
Application: Used with ammeters, watt meters and cross current compensation.

Frequency: 50-400 Hz

Insulation Level: 600 Volts, 10Kv BIL Full Wave

Standards: CSA 66.1-06, CSA 66.2-06, IEEE C 57.13, and UL 506

- Terminals are Female Brass No. 10-32 UNC with one flat washer, one lock washer and one pan head screw each.
- Approximate weight: 30 lbs.





CURRENT TRANSFORMERS

Model 781-122MR (Window Size: 6.50" Diameter)

Model	Ratio	Terminal Designation	Relay Class	ANSI METERING CLASS AT 60 Hz					Secondary Winding Resistance
				B0.1	B0.2	B0.5	B0.9	B1.8	
781-122MR	100:5	X2 - X3	C10	2.4	2.4	4.8	--	--	0.035
781-122MR	200:5	X1 - X2	C20	0.6	0.6	1.2	2.4	4.8	0.067
781-122MR	300:5	X1 - X3	C20	0.3	0.6	0.6	1.2	2.4	0.102
781-122MR	400:5	X4 - X5	C50	0.3	0.3	0.6	0.6	1.2	0.137
781-122MR	500:5	X3 - X4	C50	0.3	0.3	0.3	0.6	0.6	0.171
781-122MR	600:5	X2 - X4	C50	0.3	0.3	0.3	0.3	0.6	0.204
781-122MR	800:5	X1 - X4	C100	0.15	0.3	0.3	0.3	0.6	0.271
781-122MR	900:5	X3 - X5	C100	0.15	0.15	0.3	0.3	0.3	0.302
781-122MR	1000:5	X2 - X5	C100	0.15	0.15	0.15	0.3	0.3	0.335
781-122MR	1200:5	X1 - X5	C200	0.15	0.15	0.15	0.3	0.3	0.403

