



## CURRENT TRANSFORMERS

### Model 76RBL / 76RBT / 76RT (Window Size: 3.00" Diameters)

**Application:** Used with ammeters, watt meters, and cross current compensation.

**Frequency:** 50-400 Hz

**Insulation Level:** 600 Volts, 10Kv BIL Full Wave

**Standards:** CSA 66.1-06, CSA 66.2-06, IEEE C 57.13, and UL 506

- Flexible leads available for all case configurations. Flexible leads are UL 1015 105°C, C.S.A approved #16 AWG, 24" long standard length. Non-standard lengths are available upon request.
- Terminals are brass No. 8-32 UNC with one flat washer, one lock washer and one nut each.
- Approximate weight: 0.8 lbs.

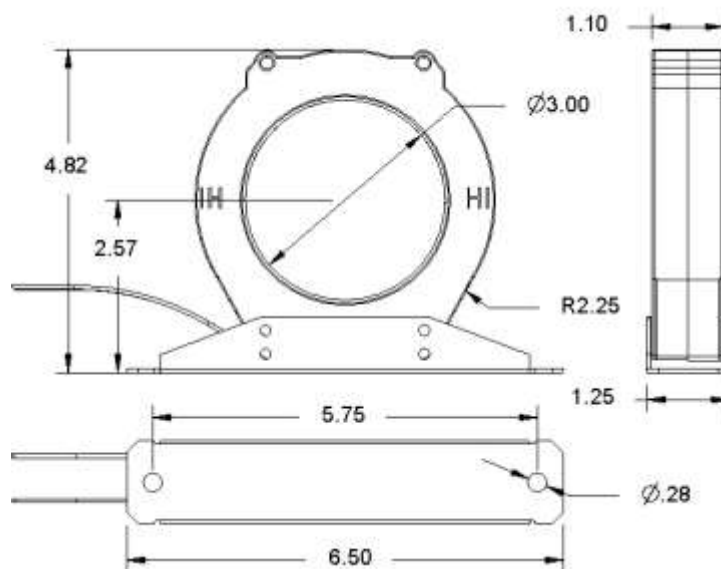


76RBL

76RBT

76RT

76RBL





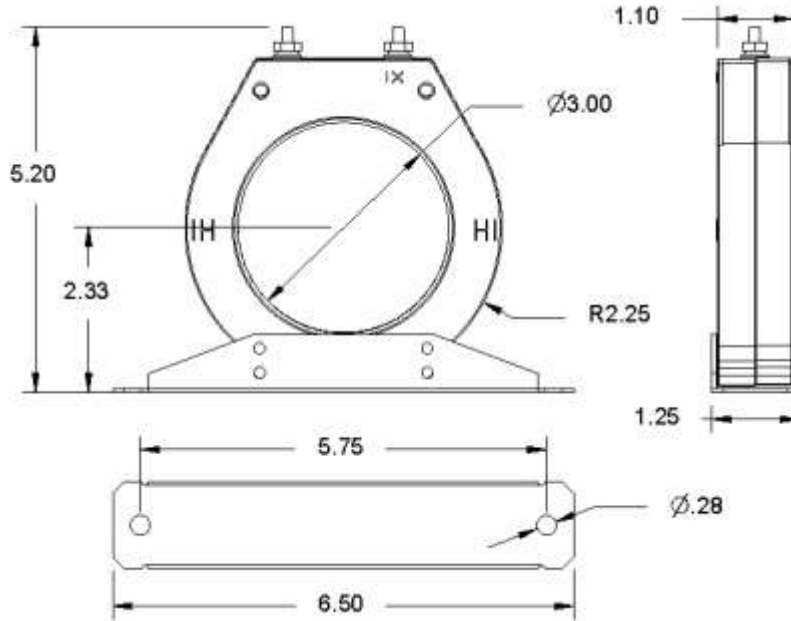
# Electromagnetic Industries LLP

[www.electromagnetic.biz](http://www.electromagnetic.biz)

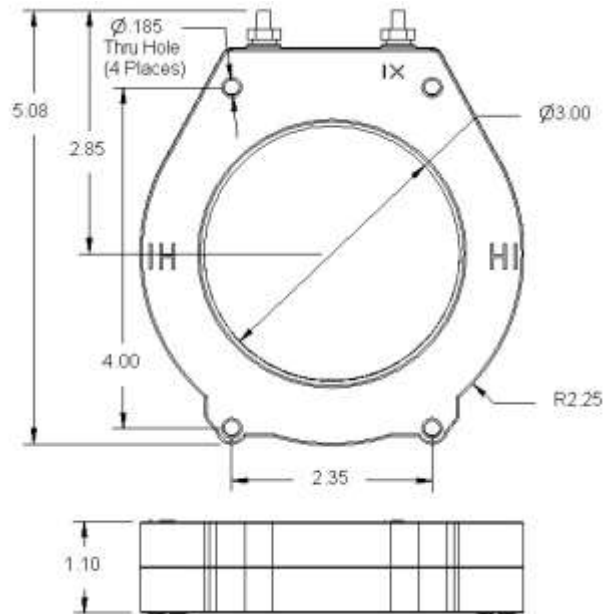
## CURRENT TRANSFORMERS

Model 76RBL / 76RBT / 76RT (Window Size: 3.00" Diameter)

76RBT



76RT





# Electromagnetic Industries LLP

[www.electromagnetic.biz](http://www.electromagnetic.biz)

## CURRENT TRANSFORMERS

Model 76RBL / 76RBT / 76RT (Window Size: 3.00" Diameter)

Catalog Number	Current Ratio	Accuracy at 60 Hz	Burden VA at 60 Hz
76**-201	200:5	±1%	5.0
76**-251	250:5	±1%	5.0
76**-301	300:5	±1%	6.0
76**-401	400:5	±1%	10.0
76**-501	500:5	±1%	10.0
76**-601	600:5	±1%	10.0
76**-751	750:5	±1%	10.0
76**-801	800:5	±1%	12.5
76**-102	1000:5	±1%	10.0
76**-122	1200:5	±1%	10.0
76**-152	1500:5	±1%	12.5
76**-162	1600:5	±1%	12.5
76**-202	2000:5	±1%	15.0

\*\* Note When Ordering use prefix below to indicate unit designation/configuration. (i.e. 76RBL-201)

RBL = Round Case with Standard 24" leads (Non-standard lengths are available upon request)

RBT = Round Case with Brass studs No. 8-32 UNC with one flat washer, one lock washer and one nut each.

RT = Round Case with Brass studs No. 8-32 UNC with one flat washer, one lock washer and one nut each.