



CURRENT TRANSFORMERS

Model 76RBL / 76RBT / 76RT (Window Size: 3.00" Diameters)

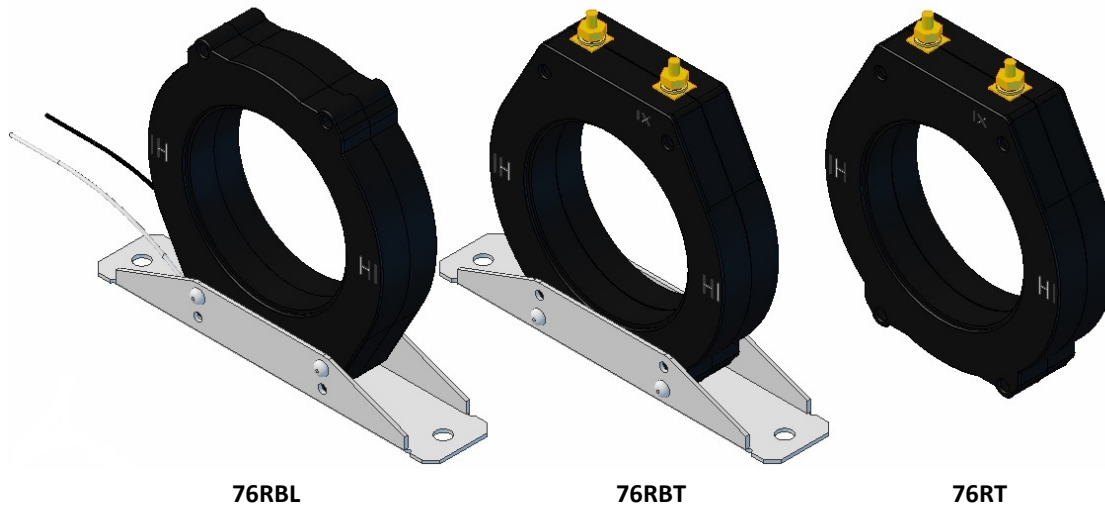
Application: Used with ammeters, watt meters, and cross current compensation.

Frequency: 50-400 Hz

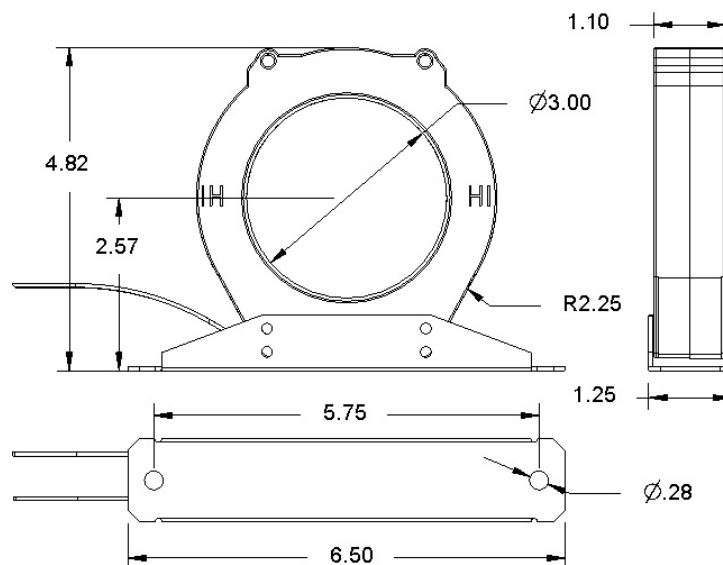
Insulation Level: 600 Volts, 10Kv BIL Full Wave

Standards: CSA 66.1-06, CSA 66.2-06, IEEE C 57.13, and UL 506

- Flexible leads available for all case configurations. Flexible leads are UL 1015 105°C, C.S.A approved #16 AWG, 24" long standard length. Non-standard lengths are available upon request.
- Terminals are brass No. 8-32 UNC with one flat washer, one lock washer and one nut each.
- Approximate weight: 0.8 lbs.



76RBL





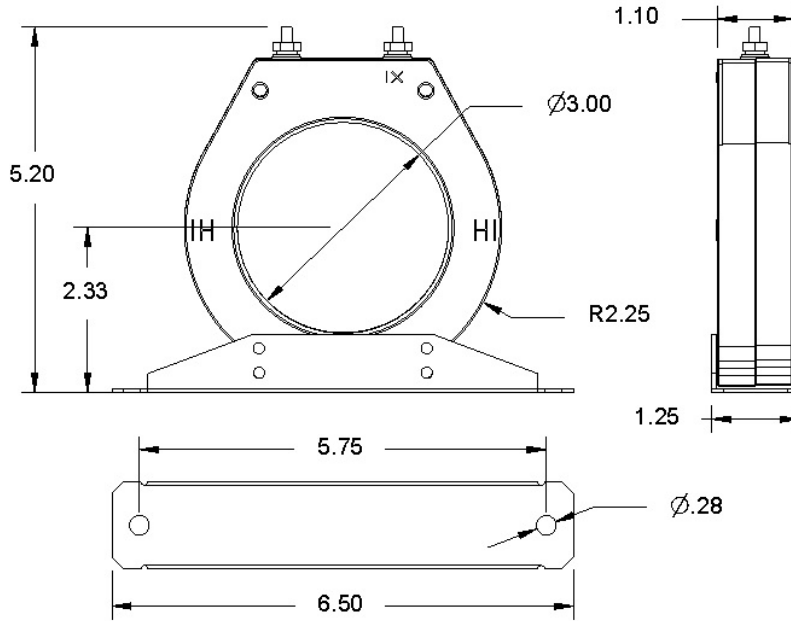
Electromagnetic Industries LLP

www.electromagnetic.biz

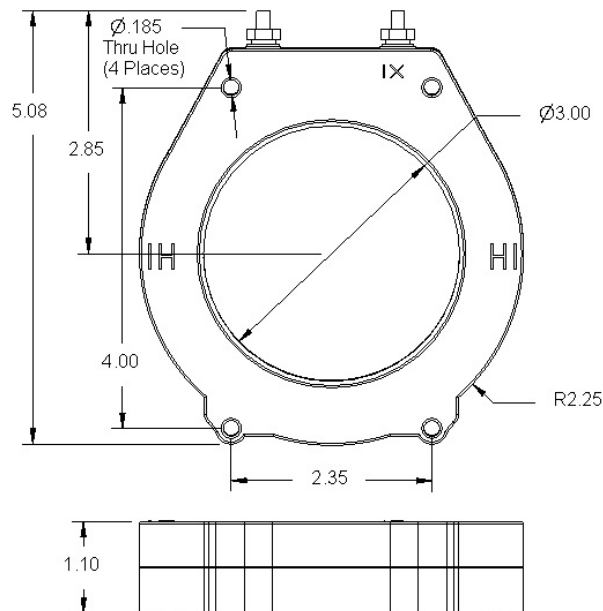
CURRENT TRANSFORMERS

Model 76RBL / 76RBT / 76RT (Window Size: 3.00" Diameter)

76RBT



76RT





Electromagnetic Industries LLP

www.electromagnetic.biz

CURRENT TRANSFORMERS

Model 76RBL / 76RBT / 76RT (Window Size: 3.00" Diameter)

| Catalog Number | Current Ratio | Accuracy at 60 Hz | Burden VA at 60 Hz |
|----------------|---------------|-------------------|--------------------|
| 76**-201 | 200:5 | ±1% | 5.0 |
| 76**-251 | 250:5 | ±1% | 5.0 |
| 76**-301 | 300:5 | ±1% | 6.0 |
| 76**-401 | 400:5 | ±1% | 10.0 |
| 76**-501 | 500:5 | ±1% | 10.0 |
| 76**-601 | 600:5 | ±1% | 10.0 |
| 76**-751 | 750:5 | ±1% | 10.0 |
| 76**-801 | 800:5 | ±1% | 12.5 |
| 76**-102 | 1000:5 | ±1% | 10.0 |
| 76**-122 | 1200:5 | ±1% | 10.0 |
| 76**-152 | 1500:5 | ±1% | 12.5 |
| 76**-162 | 1600:5 | ±1% | 12.5 |
| 76**-202 | 2000:5 | ±1% | 15.0 |

** Note When Ordering use prefix below to indicate unit designation/configuration. (i.e. 76RBL-201)

RBL = Round Case with Standard 24" leads (Non-standard lengths are available upon request)

RBT = Round Case with Brass studs No. 8-32 UNC with one flat washer, one lock washer and one nut each.

RT = Round Case with Brass studs No. 8-32 UNC with one flat washer, one lock washer and one nut each.

