



CURRENT TRANSFORMERS

Model 76 (Window Size: 3.00" Diameters)

Application: Used with ammeters, watt meters, and cross current compensation.

Frequency: 50-400 Hz

Insulation Level: 600 Volts, 10Kv BIL Full Wave

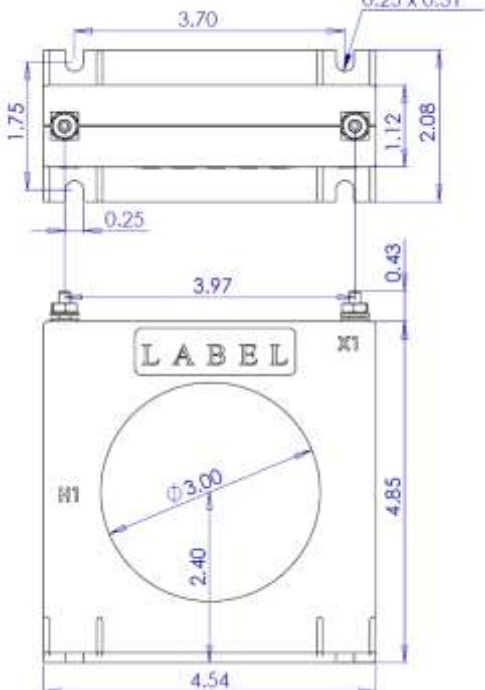
Standards: CSA 66.1-06, CSA 66.2-06, IEEE C 57.13, and UL 506

- Flexible leads available for all case configurations. Flexible leads are UL 1015 105°C, C.S.A approved #16 AWG, 24" long standard length. Non-standard lengths are available upon request.
- Terminals are brass. Stud and Female options w/ hardware available. See Page 2 (Note: Terminals are only available on the square case configuration.)
- Approximate weight: 0.8 lbs.

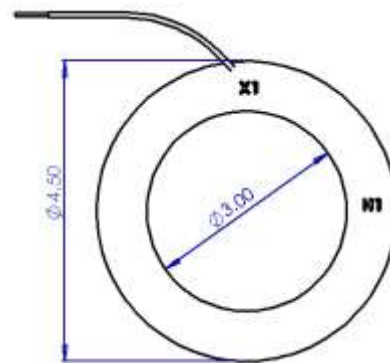
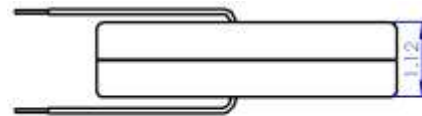


76SFT

4 Open Slots
0.25 x 0.31



76RL





Electromagnetic Industries LLP

www.electromagnetic.biz

CURRENT TRANSFORMERS

Model 76 (Window Size: 3.00" Diameter)

Catalog Number	Current Ratio	Accuracy at 60 Hz	Burden VA at 60 Hz
76**-600	60:5	±5%	0.5
76**-101	100:5	±2%	0.5
76**-201	200:5	±1%	5.0
76**-251	250:5	±1%	5.0
76**-301	300:5	±1%	6.0
76**-401	400:5	±1%	10.0
76**-501	500:5	±1%	10.0
76**-601	600:5	±1%	10.0
76**-751	750:5	±1%	12.5
76**-801	800:5	±1%	12.5
76**-102	1000:5	±1%	12.5
76**-122	1200:5	±1%	12.5
76**-152	1500:5	±1%	12.5
76**-162	1600:5	±1%	12.5
76**-202	2000:5	±1%	15.0

** Note When Ordering use prefix below to indicate unit designation/configuration. (i.e. 76SHT-201)

RL = Thin Round Case with Standard 24" leads (Non-standard lengths are available upon request)

SHX* = Square Case with mounting holes

T = Male (Brass studs No. 8-32 UNC with one flat washer, one lock washer and one nut each)

Y = Female (Brass with one Cup washer, one lock washer and one No. 8-32 UNC binding head screw each)



L = 16awg Lead Wire

Y = Female Terminals

T = Male Terminals

*X is to be replaced with "L", "Y" or "T" for terminal or lead designation.