



CURRENT TRANSFORMERS

Model 6 (Window Size: 2.06" Diameters)

Application: Used with ammeters, watt meters and cross current compensation.

Frequency: 50-400 Hz

Insulation Level: 600 Volts, 10Kv BIL Full Wave

Standards: CSA 66.1-06, CSA 66.2-06, IEEE C 57.13, and UL 506

- Flexible leads available for all case configurations. Flexible leads are UL 1015 105°C, C.S.A approved #16 AWG, 24" long standard length. Non-standard lengths are available upon request.
- Terminals are brass. Stud and Female options w/ hardware available. See Page 2 (Note: Terminals are only available on the square case configuration.)
- Mounting bracket kits for the Model 6SHT or 6SHL are available.
- Approximate weight: 1.2 lbs.



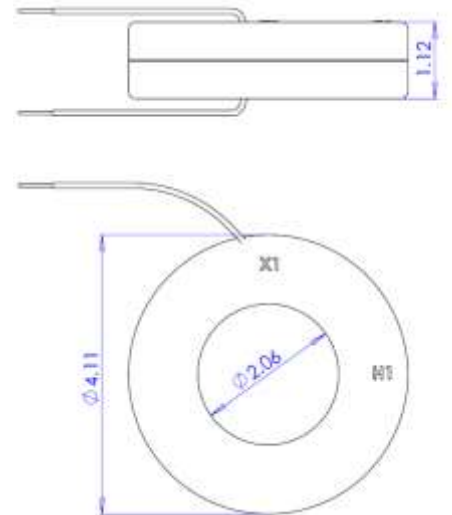
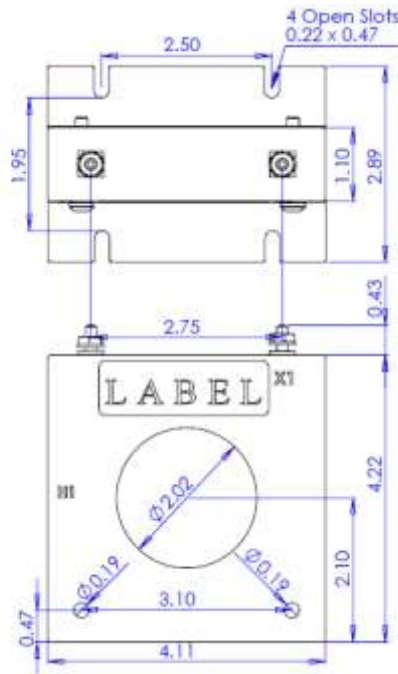
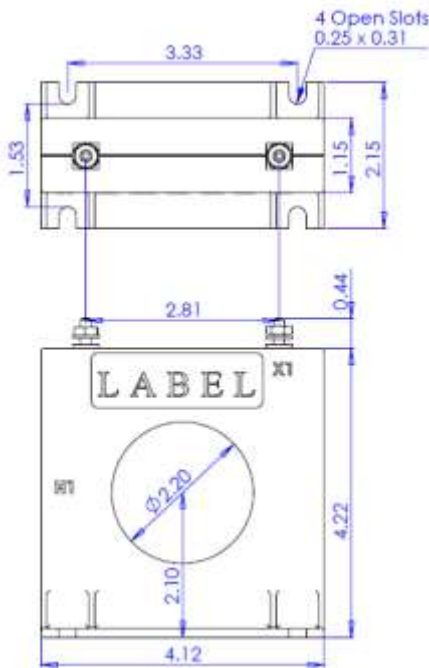
6SFT



6SHT



6RL



*Note - Mounting bracket kits for the Model 6SHT or 6SHL are available. (Sold separately Part Number 1121A00025-1)



Electromagnetic Industries LLP

www.electromagnetic.biz

CURRENT TRANSFORMERS

Model 6 (Window Size: 2.06" Diameters)

Catalog Number	Current Ratio	Models 6SFT, 6SHT, 6RL, 6SFY, 6SHY	
		Accuracy at 60 Hz	Burden VA at 60Hz
6 **--101	100:5	± 2%	2.0
6 **--151	150:5	± 1%	5.0
6 **--201	200:5	± 1%	5.0
6 **--251	250:5	± 1%	7.5
6 **--301	300:5	± 1%	12.5
6 **--401	400:5	± 1%	15.0
6 **--501	500:5	± 1%	25.0
6 **--601	600:5	± 1%	30.0
6 **--751	750:5	± 1%	25.0
6 **--801	800:5	± 1%	25.0
6 **--102	1000:5	± 1%	35.0
6 **--122	1200:5	± 1%	40.0
6 **--152	1500:5	± 1%	50.0

**Note: When ordering, use prefix below to indicate unit designation/configuration. (i.e. 6SFT-101)

RL = Thin Round Case with Standard 24" leads (Non-standard lengths are available upon request)

SHX* = Square Case with mounting holes

SFX* = Square Case w/molded feet and terminals

T = Male (Brass studs No. 8-32 UNC with one flat washer, one lock washer and one nut each)

Y = Female (Brass with one Cup washer, one lock washer and one No. 8-32 UNC binding head screw each)



L = 16awg Lead Wire

Y = Female Terminals

T = Male Terminals

*X is to be replaced with "L", "Y" or "T" for terminal or lead designation.

*Note - Mounting bracket kits for the Model 6SHT or 6SHL are available. (Sold separately Part Number 1121A00025-1)