



## CURRENT TRANSFORMERS

### Model 6 Ratio to 1 (Window Size: 2.06" Diameters)

**Application:** Used with ammeters, watt meters and cross current compensation.

**Frequency:** 50-400 Hz

**Insulation Level:** 600 Volts, 10Kv BIL Full Wave

**Standards:** CSA 66.1-06, CSA 66.2-06, IEEE C 57.13, and UL 506

- Flexible leads available for all case configurations. Flexible leads are UL 1015 105°C, C.S.A approved #16 AWG, 24" long standard length. Non-standard lengths are available upon request.
- Terminals are brass. Stud and Female options w/ hardware available. See Page 2 (Note: Terminals are only available on the square case configuration.)
- Mounting bracket kits for the Model 6SHT or 6SHL are available.
- Approximate weight: 1.2 lbs.



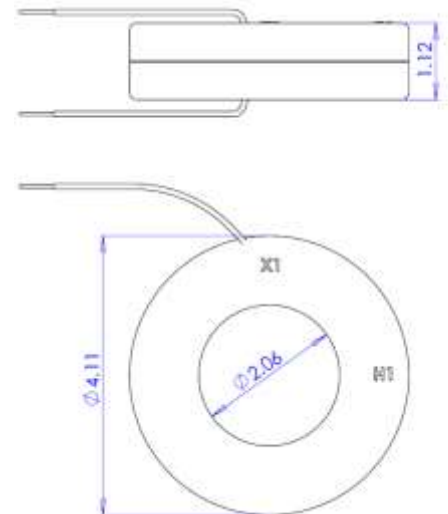
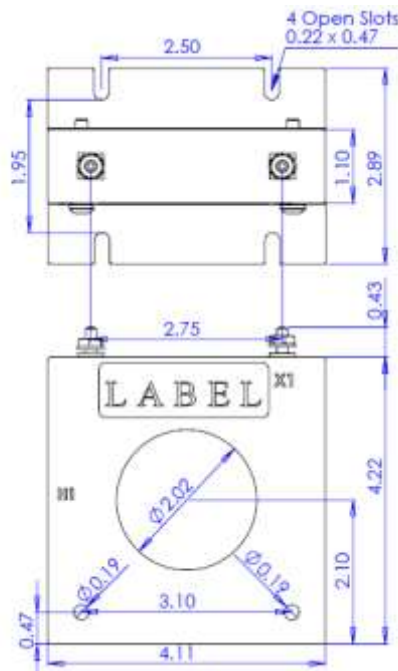
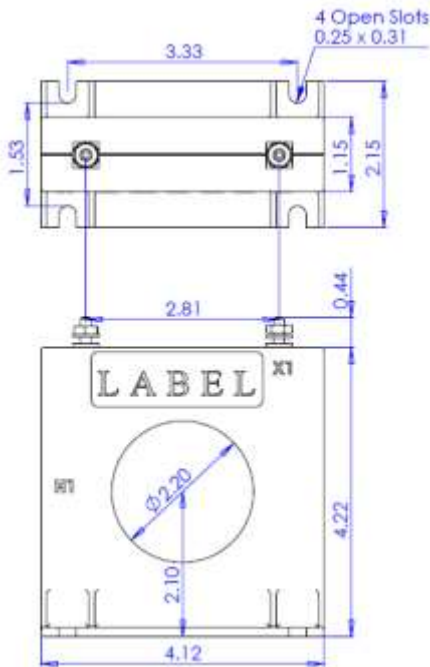
6SFT



6SHT



6RL



\* Note - Mounting bracket kits for the Model 6SHT or 6SHL are available. (sold separately Part Number 1121A00025-1)



# Electromagnetic Industries LLP

[www.electromagnetic.biz](http://www.electromagnetic.biz)

## CURRENT TRANSFORMERS

Model 6 Ratio to 1 (Window Size: 2.06" Diameters)

Catalog Number	Current Ratio	ANSI METERING CLASS AT 60 HZ				
		B0.1	B0.2	B0.5	B0.9	B1.8
6 **--101-1	100:1	1.2	-	-	-	-
6 **--121-1	120:1	0.6	1.2	-	-	-
6 **--151-1	150:1	0.6	1.2	2.4	-	-
6 **--201-1	200:1	0.6	0.6	2.4	-	-
6 **--251-1	250:1	0.3	1.2	1.2	-	-
6 **--301-1	300:1	0.3	0.3	1.2	2.4	-
6 **--401-1	400:1	0.3	0.3	0.6	1.2	2.4
6 **--501-1	500:1	0.3	0.3	0.3	0.6	2.4
6 **--601-1	600:1	0.3	0.3	0.6	1.2	2.4
6 **--801-1	800:1	0.3	0.3	0.3	0.6	1.2
6 **--102-1	1000:1	0.15	0.15	0.15	0.3	0.6
6 **--122-1	1200:1	0.15	0.15	0.15	0.15	0.3
6 **--152-1	1500:1	0.15	0.15	0.15	0.15	0.3
6 **--182-1	1800:1	0.15	0.15	0.15	0.15	0.15

\*\*Note: When ordering, use prefix below to indicate unit designation/configuration. (i.e. 6SFT-101-1)

RL = Thin Round Case with Standard 24" leads (Non-standard lengths are available upon request)

SHX\* = Square Case with mounting holes

SFX\* = Square Case w/molded feet and terminals

T = Male (Brass studs No. 8-32 UNC with one flat washer, one lock washer and one nut each)

Y = Female (Brass with one Cup washer, one lock washer and one No. 8-32 UNC binding head screw each)



L = 16awg Lead Wire

Y = Female Terminals

T = Male Terminals

\*X is to be replaced with "L", "Y" or "T" for terminal or lead designation.

\* Note - Mounting bracket kits for the Model 6SHT or 6SHL are available. (sold separately Part Number 1121A00025-1)