



CURRENT TRANSFORMERS

Model 5 (Window Size: 1.56" Diameters)

Application: Used with ammeters, watt meters and cross current compensation.

Frequency: 50-400 Hz

Insulation Level: 600 Volts, 10Kv BIL Full Wave

Standards: CSA 66.1-06, CSA 66.2-06, IEEE C 57.13, and UL 506

- Flexible leads available for all case configurations. Flexible leads are UL 1015 105°C, C.S.A approved #16 AWG, 24" long standard length. Non-standard lengths are available upon request.
- Terminals are brass. Stud and Female options w/ hardware available. See Page 2 (Note: Terminals are only available on the square case configuration.)
- Mounting bracket kits for the Model 5SHT or 5SHL are available.
- Approximate weight: 0.5 lbs.



5 SFT



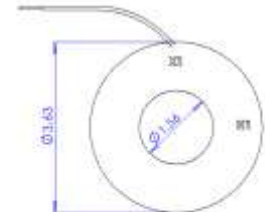
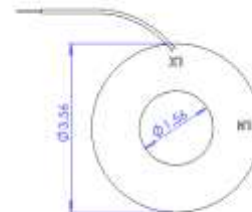
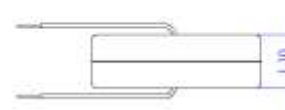
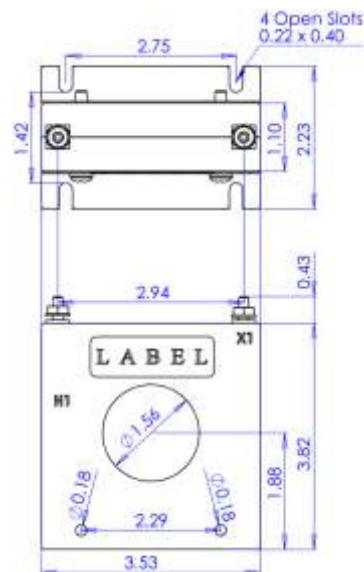
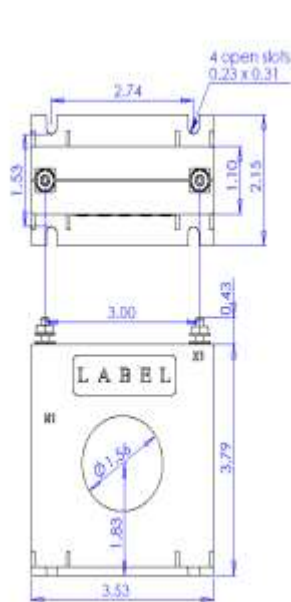
5 SHT



5 RL



5 DRL



*Note - Mounting Brackets for the 5SHT or 5SHL are sold separately (Part Number 1121A00020-1)



Electromagnetic Industries LLP

www.electromagnetic.biz

CURRENT TRANSFORMERS

Model 5 (Window Size: 1.56" Diameters)

| Catalog Number | Current Ratio | Models 5SFT, 5SHT, 5RL | | Models 5DRL | |
|----------------|---------------|------------------------|-------------------|-------------------|-------------------|
| | | Accuracy at 60 Hz | Burden VA at 60Hz | Accuracy at 60 Hz | Burden VA at 60Hz |
| 5 **--500 | 50:5 | ± 2% | 1.0 | ± 2% | 2.5 |
| 5 **--600 | 60:5 | ± 2% | 1.5 | ± 1% | 2.5 |
| 5 **--750 | 75:5 | ± 2% | 1.5 | ± 1% | 3.5 |
| 5 **--101 | 100:5 | ± 1% | 2.0 | ± 1% | 5.0 |
| 5 **--151 | 150:5 | ± 1% | 5.0 | ± 1% | 10.0 |
| 5 **--201 | 200:5 | ± 1% | 5.0 | ± 1% | 12.5 |
| 5 **--251 | 250:5 | ± 1% | 10.0 | ± 1% | 20.0 |
| 5 **--301 | 300:5 | ± 1% | 12.5 | ± 1% | 25.0 |
| 5 **--401 | 400:5 | ± 1% | 12.5 | ± 1% | 40.0 |
| 5 **--501 | 500:5 | ± 1% | 20.0 | ± 1% | 50.0 |
| 5 **--601 | 600:5 | ± 1% | 25.0 | ± 1% | 60.0 |
| 5 **--751 | 750:5 | ± 1% | 25.0 | ± 1% | 60.0 |
| 5 **--801 | 800:5 | ± 1% | 25.0 | ± 1% | 60.0 |
| 5 **--102 | 1000:5 | ± 1% | 25.0 | ± 1% | 75.0 |
| 5 **--122 | 1200:5 | ± 1% | 30.0 | ± 1% | 90.0 |

**Note: When ordering, use prefix below to indicate unit designation/configuration. (i.e. 5SFT-101)

RL = Thin Round Case with Standard 24" leads (Non-standard lengths are available upon request)

DRL = Thick Round Case with Standard 24" leads

SHX* = Square Case with mounting holes

SFX* = Square Case w/molded feet and terminals

T = Male (Brass studs No. 8-32 UNC with one flat washer, one lock washer and one nut each)

Y = Female (Brass with one Cup washer, one lock washer and one No. 8-32 UNC binding head screw each)



L = 16awg Lead Wire

Y = Female Terminals

T = Male Terminals

*X is to be replaced with "L", "Y" or "T" for terminal or lead designation.

*Note - Mounting Brackets for the 5SHT or 5SHL are sold separately (Part Number 1121A00020-1)