



CURRENT TRANSFORMERS

Model 5 (Window Size: 1.56" Diameters)

Application: Used with ammeters, watt meters and cross current compensation.

Frequency: 50-400 Hz

Insulation Level: 600 Volts, 10Kv BIL Full Wave

Standards: CSA 66.1-06, CSA 66.2-06, IEEE C 57.13, and UL 506

- Flexible leads available for all case configurations. Flexible leads are UL 1015 105°C, C.S.A approved #16 AWG, 24" long standard length. Non-standard lengths are available upon request.
- Terminals are brass. Stud and Female options w/ hardware available. See Page 2 (Note: Terminals are only available on the square case configuration.)
- Mounting bracket kits for the Model 5SHT or 5SHL are available.
- Approximate weight: 0.5 lbs.



5 SFT



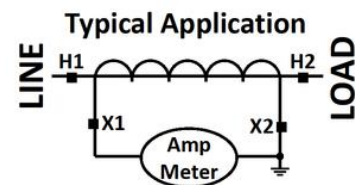
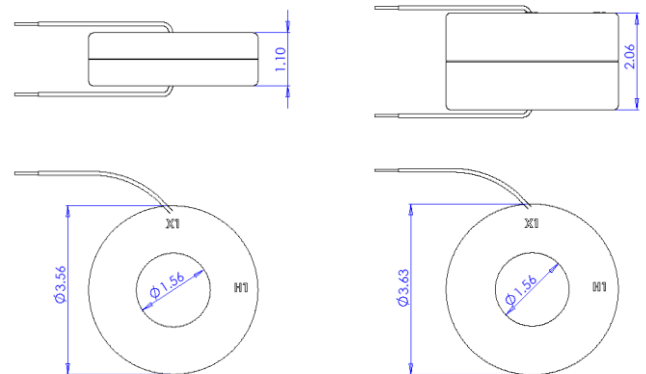
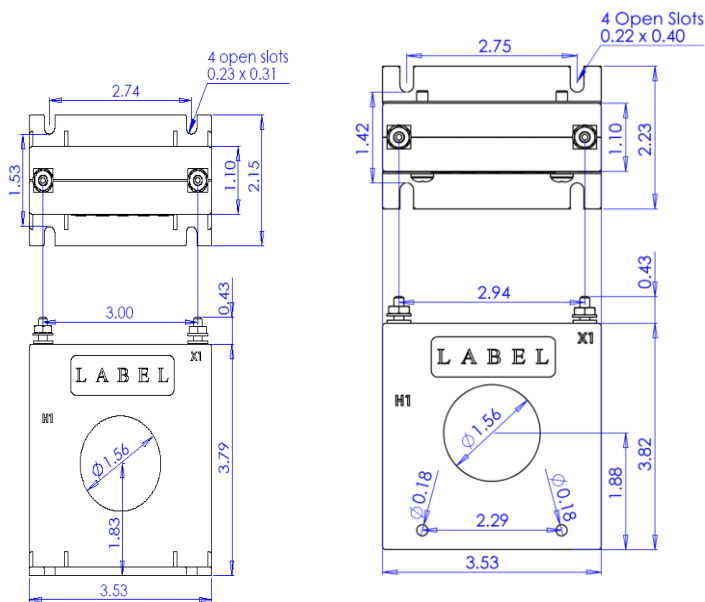
5 SHT



5 RL



5 DRL



*Note - Mounting Brackets for the 5SHT or 5SHL are sold separately (Part Number 1121A00020-1)



Electromagnetic Industries LLP

www.electromagnetic.biz

CURRENT TRANSFORMERS

Model 5 (Window Size: 1.56" Diameters)

Catalog Number	Current Ratio	Models 5SFT, 5SHT, 5RL		Models 5DRL	
		Accuracy at 60 Hz	Burden VA at 60Hz	Accuracy at 60 Hz	Burden VA at 60Hz
5 **--500	50:5	± 2%	1.0	± 2%	2.5
5 **--600	60:5	± 2%	1.5	± 1%	2.5
5 **--750	75:5	± 2%	1.5	± 1%	3.5
5 **--101	100:5	± 1%	2.0	± 1%	5.0
5 **--151	150:5	± 1%	5.0	± 1%	10.0
5 **--201	200:5	± 1%	5.0	± 1%	12.5
5 **--251	250:5	± 1%	10.0	± 1%	20.0
5 **--301	300:5	± 1%	12.5	± 1%	25.0
5 **--401	400:5	± 1%	12.5	± 1%	40.0
5 **--501	500:5	± 1%	20.0	± 1%	50.0
5 **--601	600:5	± 1%	25.0	± 1%	60.0
5 **--751	750:5	± 1%	25.0	± 1%	60.0
5 **--801	800:5	± 1%	25.0	± 1%	60.0
5 **--102	1000:5	± 1%	25.0	± 1%	75.0
5 **--122	1200:5	± 1%	30.0	± 1%	90.0

**Note: When ordering, use prefix below to indicate unit designation/configuration. (i.e. 5SFT-101)

RL = Thin Round Case with Standard 24" leads (Non-standard lengths are available upon request)

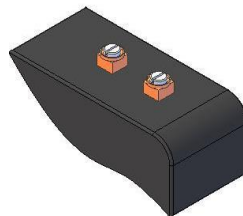
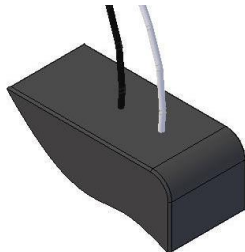
DRL = Thick Round Case with Standard 24" leads

SHX* = Square Case with mounting holes

SFX* = Square Case w/molded feet and terminals

T = Male (Brass studs No. 8-32 UNC with one flat washer, one lock washer and one nut each)

Y = Female (Brass with one Cup washer, one lock washer and one No. 8-32 UNC binding head screw each)



L = 16awg Lead Wire

Y = Female Terminals

T = Male Terminals

*X is to be replaced with "L", "Y" or "T" for terminal or lead designation.

*Note - Mounting Brackets for the 5SHT or 5SHL are sold separately (Part Number 1121A00020-1)