



## CURRENT TRANSFORMERS

### Model 58RBL / 58RBT / 58RT (Window Size: 1.25" Diameters)

**Application:** Used with ammeters, watt meters, and cross current compensation.

**Frequency:** 50-400 Hz

**Insulation Level:** 600 Volts, 10Kv BIL Full Wave

**Standards:** CSA 66.1-06, CSA 66.2-06, IEEE C 57.13, and UL 506

- Flexible leads are UL 1015 105°C, C.S.A approved #16 AWG, 24" long standard length. Non-standard lengths are available upon request.
- Terminals are brass No. 8-32 UNC with one flat washer, one lock washer and one nut each.
- Approximate weight: 1.3 lbs.

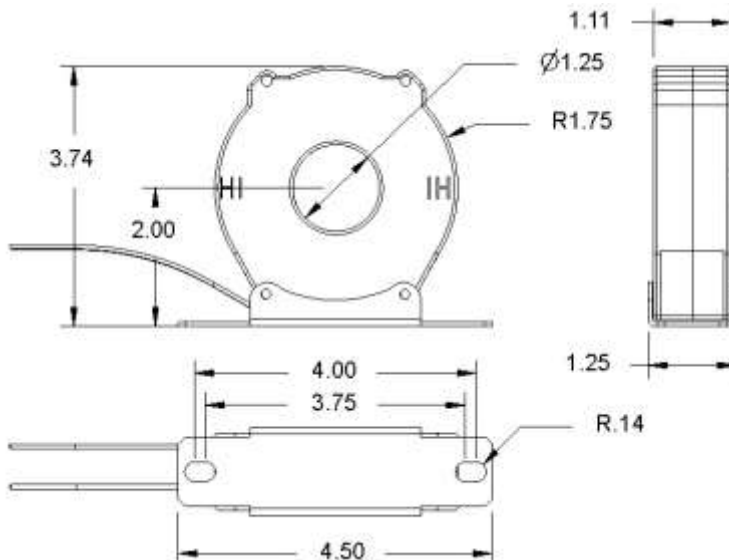


58RBL

58RBT

58RT

58RBL

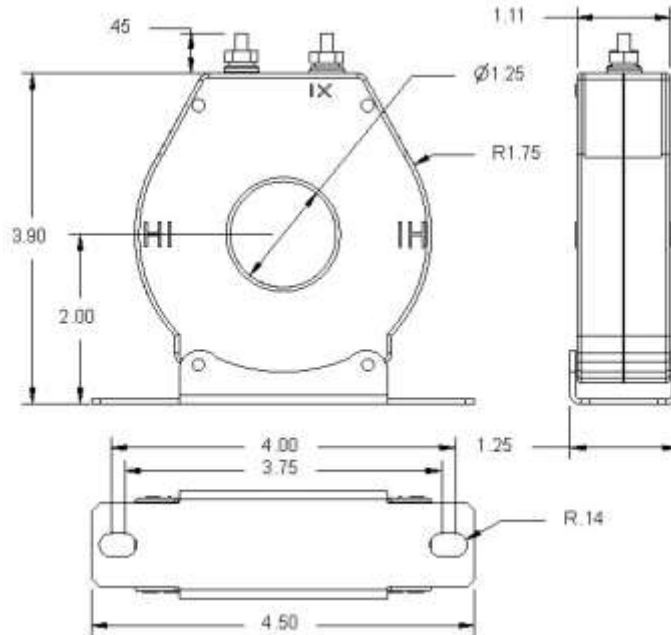




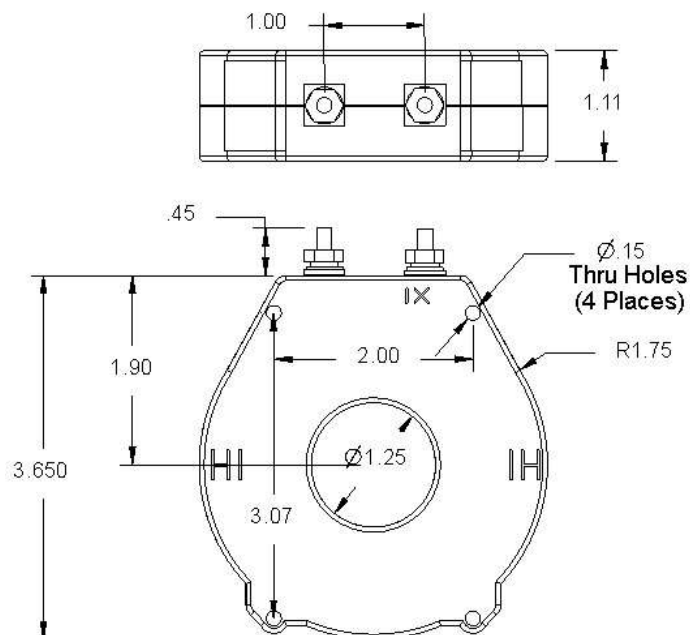
## CURRENT TRANSFORMERS

Model 58RBL / 58RBT / 58RT (**Window Size: 1.25" Diameter**)

**58RBT**



**58RT**





## CURRENT TRANSFORMERS

Model 58RBL / 58RBT / 58RT (**Window Size: 1.25" Diameter**)

Catalog Number	Current Ratio	Models 58RBL/58RBT/RT	
		Accuracy at 60 Hz	Burden VA at 60 Hz
58 **—500	50:5	± 3%	1.5
58 **—600	60:5	± 2%	2.5
58 **—750	75:5	± 1.5%	2.5
58 **—800	80:5	± 1%	2.5
58 **—101	100:5	± 1.5%	5.0
58 **—121	120:5	± 1%	5.0
58 **—1250	125:5	± 1%	6.0
58 **—151	150:5	± 1%	7.5
58 **—201	200:5	± 1%	12.5
58 **—251	250:5	± 1%	12.5
58 **—301	300:5	± 1%	15
58**—401	400:5	± 1%	25
58**—501	500:5	± 1%	25
58**—601	600:5	± 1%	25
58**—751	750:5	± 1%	25
58**—801	800:5	± 1%	25

\*\* Note When Ordering use prefix below to indicate unit designation/configuration. (i.e. 58RBL-101)

RBL = Round Case with Standard 24" leads. (Non-standard lengths are available upon request)

RBT = Round Case with Brass studs No. 8-32 UNC with one flat washer, one lock washer and one nut each.

RT = Round Case with Brass studs No. 8-32 UNC with one flat washer, one lock washer and one nut each.