



CURRENT TRANSFORMERS

Model 56 (Window Size: 2.06" Diameters)

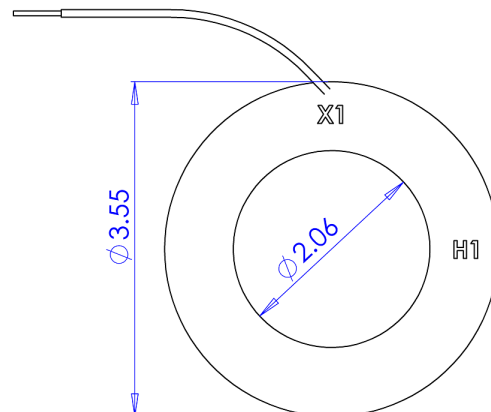
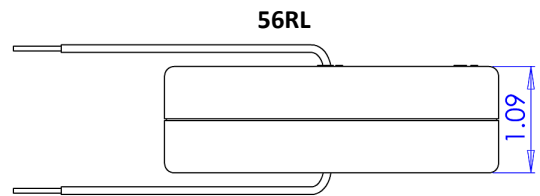
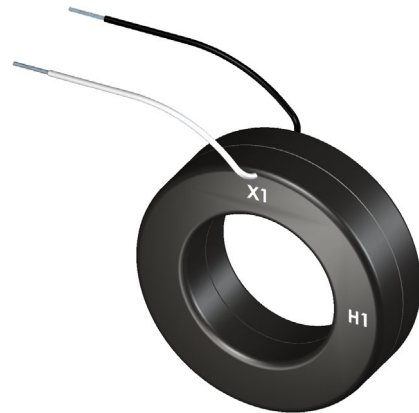
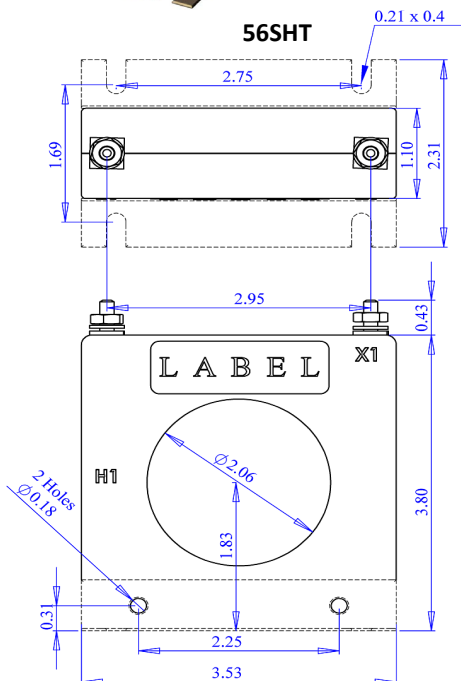
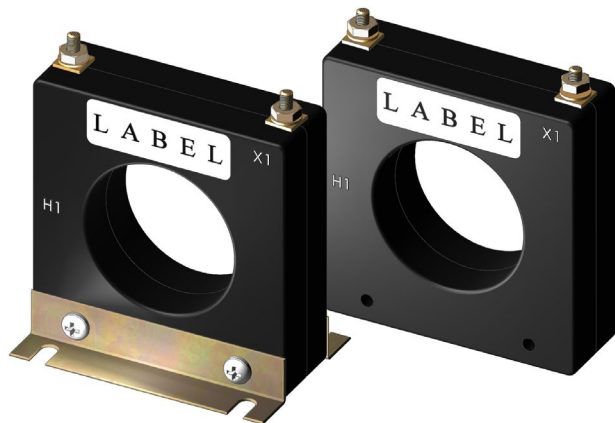
Application: Used with ammeters, watt meters, and cross current compensation.

Frequency: 50-400 Hz

Insulation Level: 600 Volts, 10Kv BIL Full Wave

Standards: CSA 66.1-06, CSA 66.2-06, IEEE C 57.13, and UL 506

- Flexible leads available for all case configurations. Flexible leads are UL 1015 105°C, C.S.A approved #16 AWG, 24" long standard length. Non-standard lengths are available upon request.
- Terminals are brass. Stud and Female options w/ hardware available. See Page 2 (Note: Terminals are only available on the square case configuration.)
- Mounting bracket kits for the Model 56SHT or 56SHL are available.
- Approximate weight: 0.5 lbs.

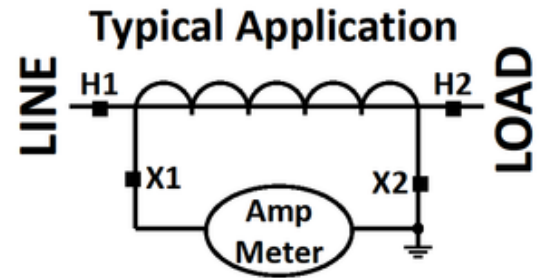




CURRENT TRANSFORMERS

Model 56 (Window Size: 2.06" Diameter)

Catalog Number	Current Ratio	Models 56SFT, 56RL	
		Accuracy at 60 Hz	Burden VA at 60 Hz
56 **—500	50:5	± 3%	0.5
56 **—600	60:5	± 3%	0.5
56 **—750	75:5	± 2%	0.5
56 **—101	100:5	± 1%	1.0
56 **—151	150:5	± 1%	2.5
56 **—201	200:5	± 1%	4.0
56 **—251	250:5	± 1%	6.0
56 **—301	300:5	± 1%	7.5
56**—401	400:5	± 1%	10.0
56**—501	500:5	± 1%	12.5
56**—601	600:5	± 1%	15.0
56**—751	750:5	± 1%	7.0
56**—801	800:5	± 1%	8.0
56**—102	1000:5	± 1%	10.0
56**—122	1200:5	± 1%	12.5



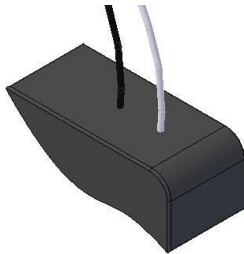
** Note When Ordering use prefix below to indicate unit designation/configuration. (i.e. 56SHT-101)

RL = Thin Round Case with Standard 24" leads (Non-standard lengths are available upon request)

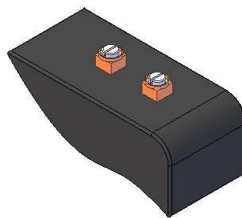
SHX* = Square Case with mounting holes

T = Male (Brass studs No. 8-32 UNC with one flat washer, one lock washer and one nut each)

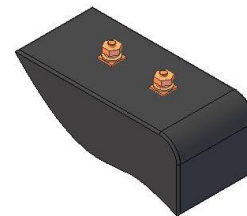
Y = Female (Brass with one Cup washer, one lock washer and one No. 8-32 UNC binding head screw each)



L = 16awg Lead Wire



Y = Female Terminals



T = Male Terminals

*X is to be replaced with "L", "Y" or "T" for terminal or lead designation.

*Note - Mounting bracket kits for the Model 56SHT or 56SHL are available. (Sold separately Part Number 1121A00020-1)