



VOLTAGE TRANSFORMER

Model 468

These transformers are encased in a thermoplastic case with the core and windings encapsulated in resin. They are designed for line to line operation but may also be used in line to neutral or line to ground configuration at 58% of rated voltage.

It is recommended that a 0.80 Amp fuse be used in the secondary to protect the transformer.

Frequency: 60Hz

Standard Secondary Voltage: 120 VAC Insulation Level: 600 Volt, 10kV BIL Full Wave

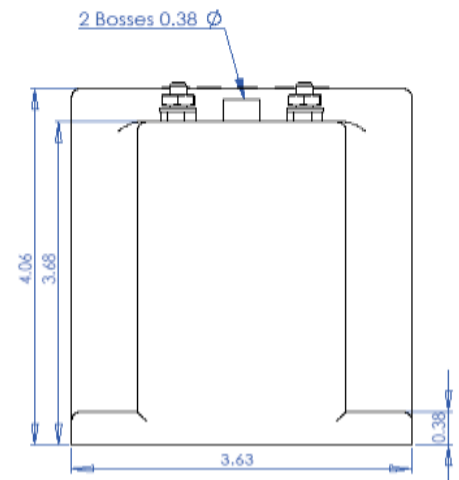
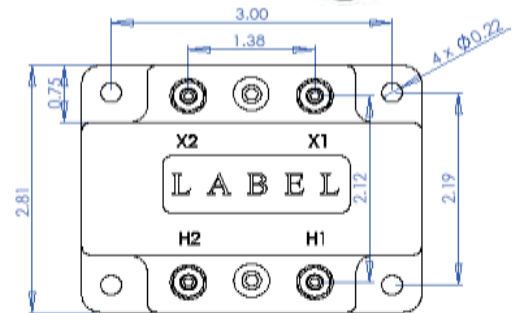
Accuracy Class: +/-0.6% at all burdens up to 7.5VA and +/-1.5% at 20VA burden.

Thermal Rating: 75 VA @ 30 C. amb.

50 VA @ 55 C. amb.

Terminals are No. 10-32 Brass studs with one lock washer and one flat washer each.

Note: All transformers listed with the exception of the 480v and 600v are ANSI C57.13 group 1. The 480v and 600v are group 2.



Catalog Number	Voltage Ratio	Turns Ratio	Recommended Primary Fuse Rating
468-069	69.3:120	0.58:1	3.0 A
468-120	120:120	1:1	2.0 A
468-208	208:120	1.73:1	1.0 A
468-240	240:120	2:1	1.0 A
468-277	277:120	2.31:1	1.0 A
468-288	288:120	2.4:1	0.75 A
468-300	300:120	2.5:1	0.75 A
468-346	346:120	2.88:1	0.75 A
468-480	480:120	4:1	0.50 A
468-600	600:120	5:1	0.40 A