



### 3 PHASE CURRENT TRANSFORMERS

Model 3P42 (**Window Size: 2.50" Diameter**)

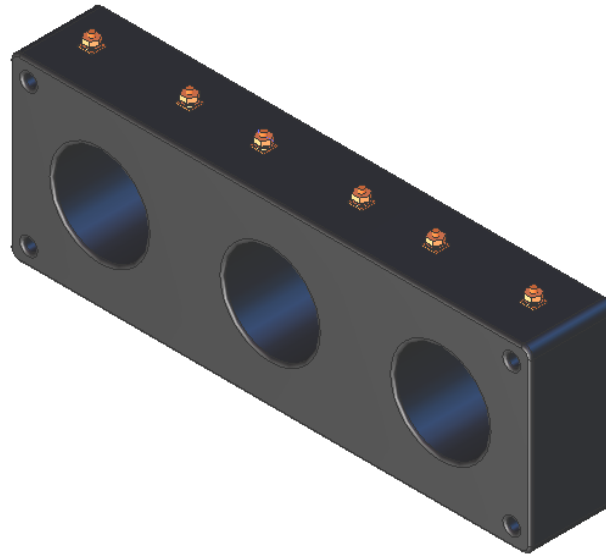
**Application:** Used with 3 phase metering and overload protection.

**Frequency:** 50-400 Hz

**Insulation Level:** 600 Volts, 10kV BIL Full Wave

**Standards:** CSA 66.1-06, CSA 66.2-06, and UL 506

- Terminals are brass. Stud and Female options w/ hardware available. See Page 2.
- Approximate weight: 11.5 lbs.

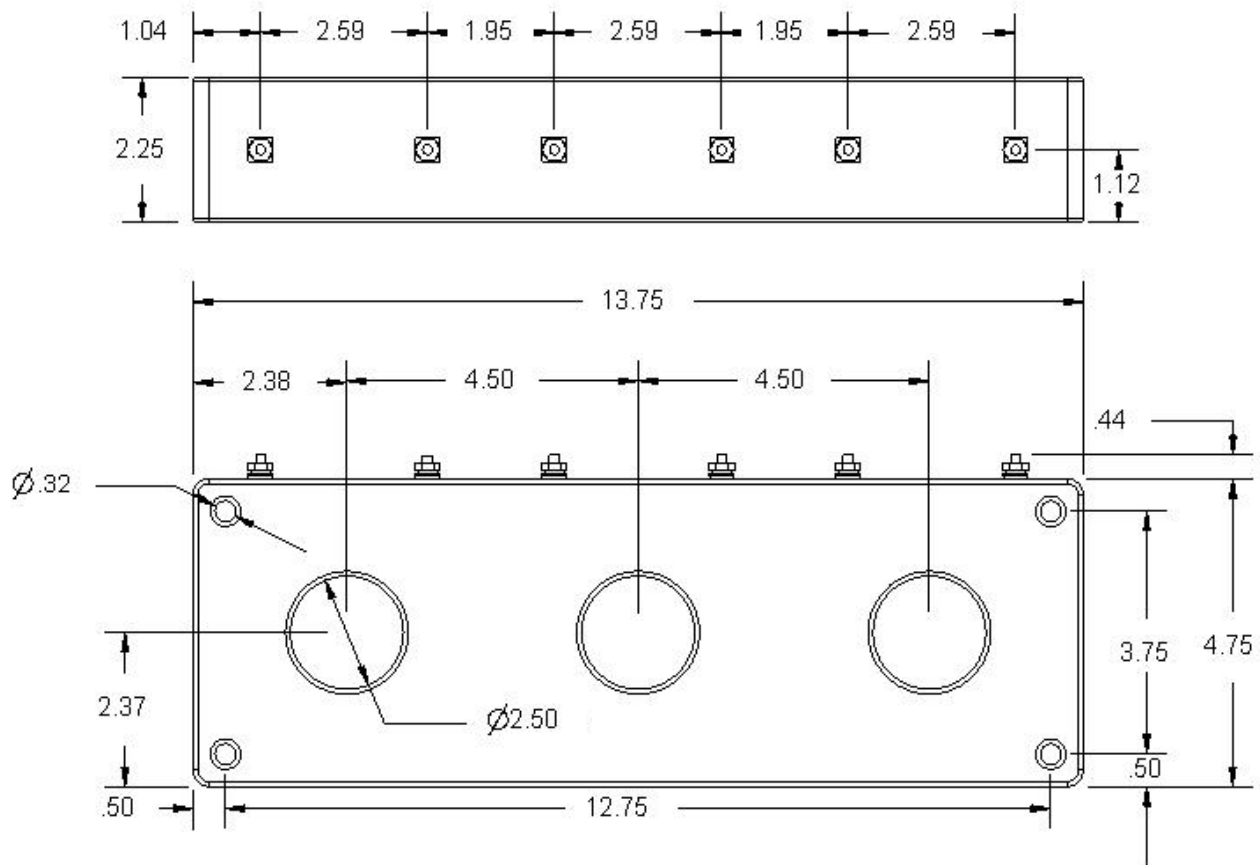


Catalog Number	Current Ratio	Relay Class	ANSI Metering Class at 60 Hz					Secondary Winding Resistance ( $\Omega$ @ 75°C)	Continuous Thermal Rating Factor	
			B0.1	B0.2	B0.5	B0.9	B1.8		@ 30°C	@ 55°C
3P42-101	100:5	-	1.2	2.4	-	-	-	0.035	2.0	2.0
3P42-151	150:5	-	0.6	1.2	-	-	-	0.053	2.0	2.0
3P42-201	200:5	-	0.6	0.6	1.2	-	-	0.071	2.0	2.0
3P42-251	250:5	-	0.3	0.3	1.2	-	-	0.088	2.0	1.5
3P42-301	300:5	-	0.3	0.3	0.6	1.2	2.4	0.106	2.0	1.5
3P42-401	400:5	C10	0.3	0.3	0.6	0.6	1.2	0.112	2.0	1.5
3P42-501	500:5	C10	0.3	0.3	0.3	0.6	1.2	0.140	1.5	1.0
3P42-601	600:5	C10	0.3	0.3	0.3	0.6	0.6	0.168	1.5	1.0
3P42-751	750:5	C20	0.3	0.3	0.3	0.6	0.6	0.265	1.0	0.8
3P42-801	800:5	C20	0.3	0.3	0.3	0.3	0.3	0.283	1.0	0.8
3P42-102	1000:5	C10	0.3	0.3	0.3	0.3	0.3	0.308	1.0	0.8
3P42-122	1200:5	C10	0.3	0.3	0.3	0.3	0.3	0.365	1.0	0.8
3P42-152	1500:5	C10	0.3	0.3	0.3	0.3	0.3	0.462	1.0	0.6
3P42-162	1600:5	C10	0.3	0.3	0.3	0.3	0.3	0.492	0.8	0.6



**3 PHASE CURRENT TRANSFORMERS**

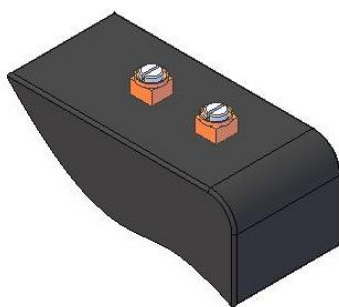
Model 3P42 (Window Size: 2.50" Diameter)



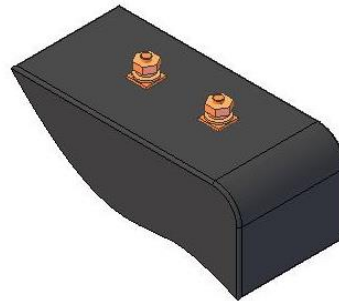
Note: When ordering, use prefix below to indicate unit designation/configuration.

T = Male (Brass studs No. 10-32 UNC with one flat washer, one lock washer and one nut each) (i.e. 3P42-101)

Y = Female (Brass with one Cup washer, one lock washer and one No. 8-32 UNC binding head screw each) (i.e. 3P42-101Y)



Y = Female Terminals



T = Male Terminals

\*X is to be replaced with "Y" or "T" for terminal or lead designation.