



3 PHASE CURRENT TRANSFORMERS

Model 3P41 (Window Size: 2.00" Diameter)

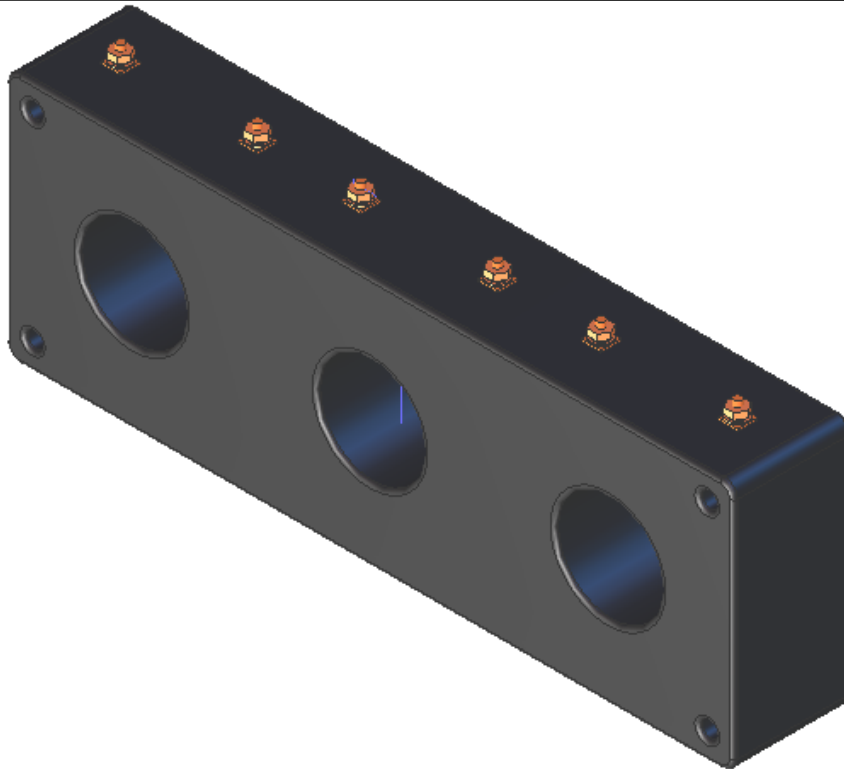
Application: Used with 3 phase metering and overload protection.

Frequency: 50-400 Hz

Insulation Level: 600 Volts, 10kV BIL Full Wave

Standards: CSA 66.1-06, CSA 66.2-06, and UL 506

- Terminals are brass. Stud and Female options w/ hardware available. See Page 2
- Approximate weight: 12 lbs.

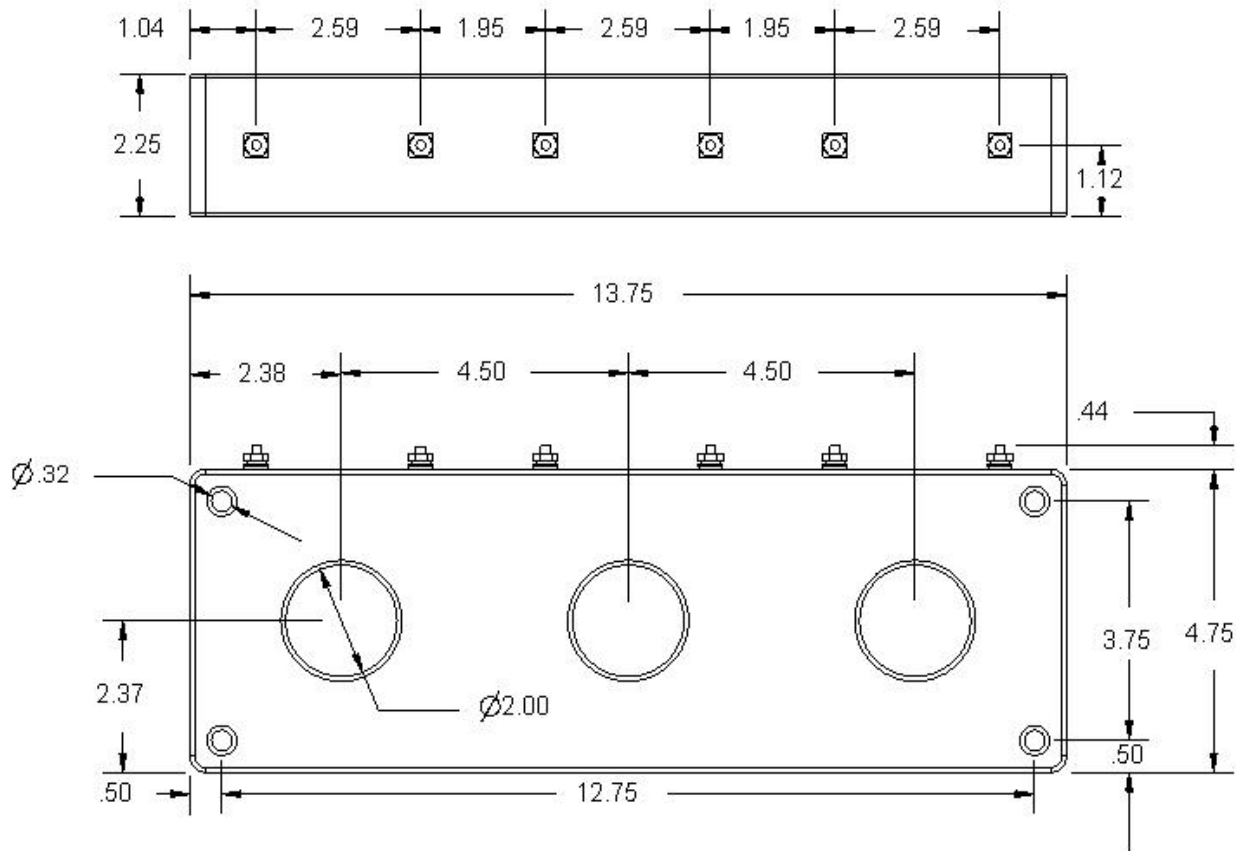


| Catalog Number | Current Ratio | Relay Class | ANSI Metering Class at 60 Hz | | | | | Secondary Winding Resistance (Ω @ 75°C) | Continuous Thermal Rating Factor | |
|----------------|---------------|-------------|------------------------------|------|------|------|------|---|----------------------------------|--------|
| | | | B0.1 | B0.2 | B0.5 | B0.9 | B1.8 | | @ 30°C | @ 55°C |
| 3P41-101 | 100:5 | - | 1.2 | 1.2 | 2.4 | - | - | 0.030 | 2.0 | 2.0 |
| 3P41-151 | 150:5 | - | 0.6 | 0.6 | 1.2 | 2.4 | - | 0.045 | 2.0 | 2.0 |
| 3P41-201 | 200:5 | - | 0.3 | 0.6 | 1.2 | 2.4 | 2.4 | 0.075 | 2.0 | 2.0 |
| 3P41-251 | 250:5 | C10 | 0.3 | 0.3 | 0.6 | 1.2 | 2.4 | 0.094 | 2.0 | 1.5 |
| 3P41-301 | 300:5 | C10 | 0.3 | 0.3 | 0.3 | 0.6 | 1.2 | 0.090 | 2.0 | 1.5 |
| 3P41-401 | 400:5 | C10 | 0.3 | 0.3 | 0.3 | 0.3 | 0.6 | 0.151 | 1.5 | 1.33 |
| 3P41-501 | 500:5 | C20 | 0.3 | 0.3 | 0.3 | 0.3 | 0.6 | 0.149 | 1.5 | 1.33 |
| 3P41-601 | 600:5 | C20 | 0.3 | 0.3 | 0.3 | 0.3 | 0.6 | 0.179 | 1.5 | 1.0 |



3 PHASE CURRENT TRANSFORMERS

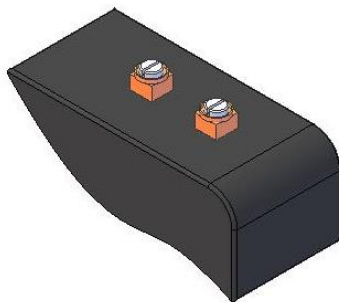
Model 3P41 (Window Size: 2.00" Diameter)



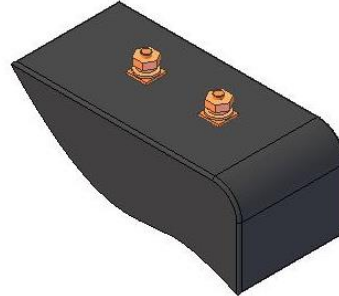
Note: When ordering, use prefix below to indicate unit designation/configuration.

T = Male (Brass studs No. 10-32 UNC with one flat washer, one lock washer and one nut each) (i.e. 3P41-101)

Y = Female (Brass with one Cup washer, one lock washer and one No. 8-32 UNC binding head screw each) (i.e. 3P41-101Y)



Y = Female Terminals



T = Male Terminals

*X is to be replaced with "Y" or "T" for terminal or lead designation.