



CURRENT TRANSFORMERS

Model 2 Ratio to 1 (**Window Size: 1.00", 1.05" & 1.10" Diameters**)

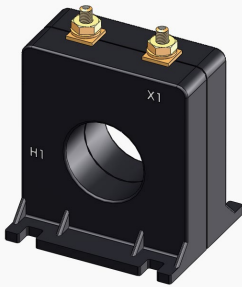
Application: Generally used with ammeters.

Frequency: 50-400 Hz

Insulation Level: 600 Volts, 10Kv BIL Full Wave

Standards: CSA 66.1-06, CSA 66.2-06, IEEE C 57.13, and UL 506

- Flexible leads available for all case configurations. Flexible leads are UL 1015 105°C, C.S.A approved #16 AWG, 24" long standard length. Non-standard lengths are available upon request.
- Terminals are brass. Stud and Female options w/ hardware available. See Page 2 (Note: Terminals are only available on the square case configuration.)
- Mounting brackets kits for the Model 2SHT or 2SHL are available when required.
- Approximate weight: 0.5 lbs.



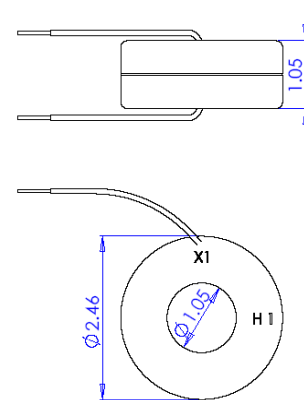
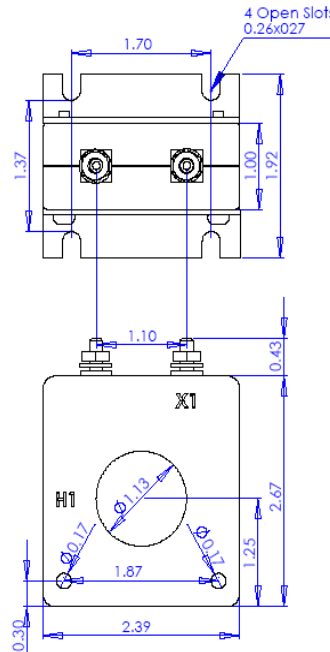
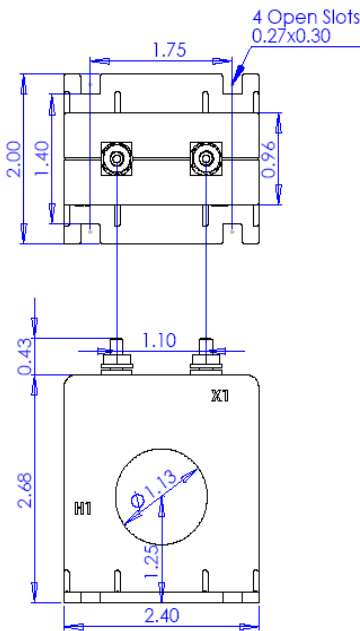
2SFT



2 SHT



2 RL



*Note-Mounting brackets for the 2SHT and 2SHL are sold separately (Part Number 1121A00019-1)



CURRENT TRANSFORMERS

Model 2 Ratio to 1 (**Window Size: 1.00", 1.05" & 1.10" Diameters**)

Catalog Number	Current Ratio	Models 2SFT, 2SHT, 2RL	
		Accuracy at 60 Hz	Burden VA at 60Hz
2 **--500-1	50:1	± 5%	1.0
2 **--600-1	60:1	± 5%	2.0
2 **--750-1	75:1	± 3%	2.0
2 **--800-1	80:1	± 3%	2.0
2 **--101-1	100:1	± 3%	2.0
2 **--121-1	120:1	± 3%	2.0
2 **--151-1	150:1	± 3%	4.0
2 **--161-1	160:1	± 3%	4.0
2 **--201-1	200:1	± 3%	4.0
2 **--251-1	250:1	± 1%	4.0
2 **--301-1	300:1	± 1%	5.0
2 **--401-1	400:1	± 5%	1.0

Note: When ordering, use prefix below to indicate unit designation/configuration. (i.e. 2SFT-101)

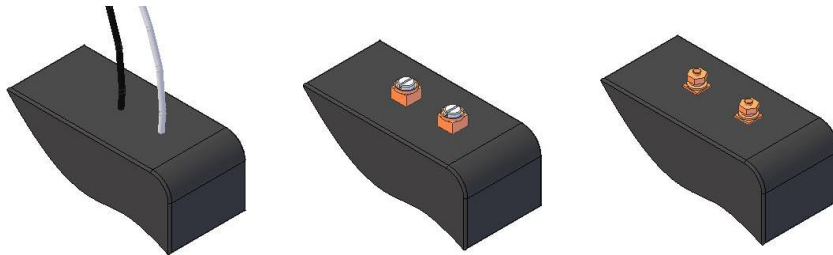
RL = Thin Round Case with Standard 24" leads (Non-standard lengths are available upon request)

SHX* = Square Case with mounting holes

SFX* = Square Case w/molded feet and terminals

T = Male (Brass studs No. 8-32 UNC with one flat washer, one lock washer and one nut each)

Y = Female (Brass with one Cup washer, one lock washer and one No. 8-32 UNC binding head screw each)



L = 16awg Lead Wire

Y = Female Terminals

T = Male Terminals

*X is to be replaced with "L", "Y" or "T" for terminal or lead designation.

*Note-Mounting brackets for the 2SHT and 2SHL are sold separately (Part Number 1121A00019-1)

