



CURRENT TRANSFORMERS

Model 170 (Window Size: 4.25" Diameters)

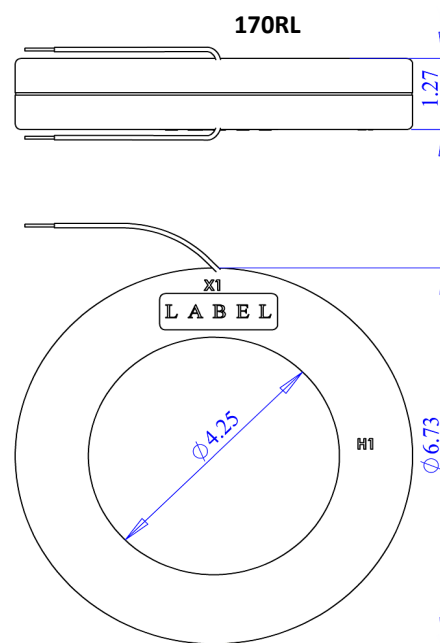
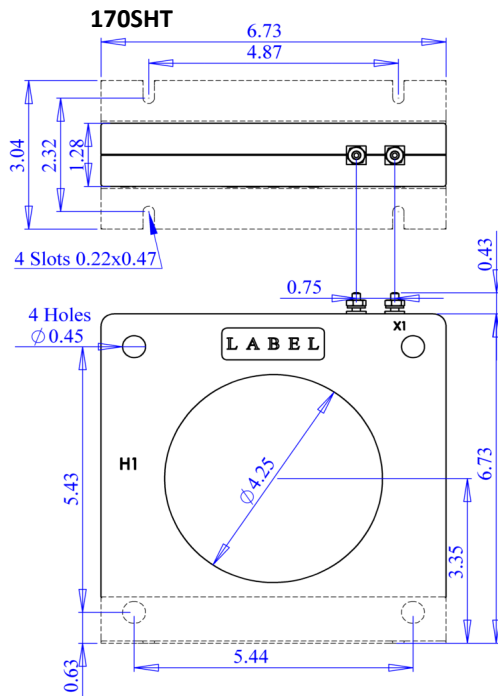
Application: Metering

Frequency: 50-400 Hz

Insulation Level: 600 Volts, 10Kv BIL Full Wave

Standards: CSA 66.1-06, CSA 66.2-06, IEEE C 57.13, and UL 506

- Flexible leads available for all case configurations. Flexible leads are UL 1015 105°C, C.S.A approved #16 AWG, 24" long standard length. Non-standard lengths are available upon request.
- Terminals are brass. Stud and Female options w/ hardware available. See Page 2 (Note: Terminals are only available on the square case configuration.)
- Mounting bracket kits for the Model 170SHT or 170SHL are available.
- Approximate weight: 3 lbs.



*Note - Mounting Brackets for the 170SHT or 170SHL are available. (Sold separately Part Number 1121A00023-1)

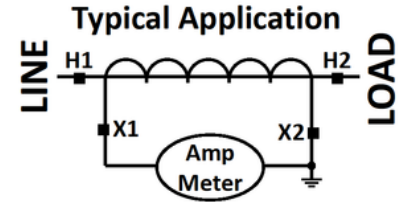


Electromagnetic Industries LLP

www.electromagnetic.biz

CURRENT TRANSFORMERS

Model 170 (Window Size: 4.25" Diameter)



Catalog Number	Current Ratio	VA +/- 1% Class	ANSI Metering Class at 60 Hz.					Secondary Winding Resistance Ohms at 75°C	Continuous Thermal Rating Factor	
			B0.1	B0.2	B0.5	B0.9	B1.8		at 30°C	at 55°C
170**-201	200:5	5.0	0.6	1.2	2.4	--	--	0.040	2.0	2.0
170**-251	250:5	5.0	0.6	0.6	1.2	2.4	--	0.047	2.0	2.0
170**-301	300:5	12.5	0.6	0.6	1.2	2.4	--	0.053	2.0	2.0
170**-401	400:5	25.0	0.3	0.3	0.6	1.2	2.4	0.80	2.0	2.0
170**-501	500:5	25.0	0.3	0.3	0.6	1.2	1.2	0.110	2.0	2.0
170**-601	600:5	25.0	0.3	0.3	0.6	0.6	1.2	0.121	2.0	1.5
170**-751	750:5	40.0	0.3	0.3	0.3	0.6	0.6	0.151	2.0	1.5
170**-801	800:5	50.0	0.3	0.3	0.3	0.6	0.6	0.162	2.0	1.5
170**-102	1000:5	75.0	0.3	0.3	0.3	0.6	0.6	0.265	1.33	1.5
170**-122	1200:5	100.0	0.3	0.3	0.3	0.3	0.6	0.318	1.33	2.0
170**-152	1500:5	80.0	0.3	0.3	0.3	0.3	0.6	0.344	1.33	1.0
170**-162	1600:5	90.0	0.3	0.3	0.3	0.3	0.6	0.367	1.33	1.0
170**-202	2000:5	100.0	0.3	0.3	0.3	0.3	0.3	0.459	1.0	0.8
170**-252	2500:5	130.0	0.3	0.3	0.3	0.3	0.3	0.573	1.0	0.8
170**-302	3000:5	160.0	0.3	0.3	0.3	0.3	0.3	0.424	1.0	1.0
170**-352	3500:5	190.0	0.3	0.3	0.3	0.3	0.3	0.495	1.0	0.8
170**-402	4000:5	200.0	0.3	0.3	0.3	0.3	0.3	0.646	1.0	0.8

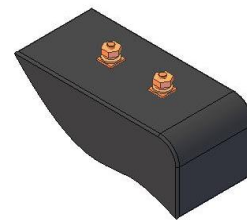
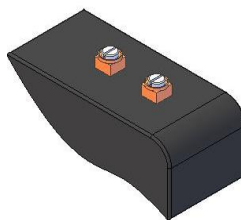
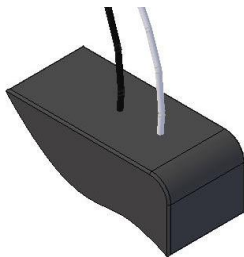
**Note: When ordering, use prefix below to indicate unit designation/configuration. (i.e. 170SHT-101)

RL = Thin Round Case with Standard 24" leads (Non-standard lengths are available upon request)

SHX* = Square Case with mounting holes

T = Male (Brass studs No. 8-32 UNC with one flat washer, one lock washer and one nut each)

Y = Female (Brass with one Cup washer, one lock washer and one No. 8-32 UNC binding head screw each)



L = 16awg Lead Wire

Y = Female Terminals

T = Male Terminals

*X is to be replaced with "L", "Y" or "T" for terminal or lead designation.

*Note - Mounting Brackets for the 170SHT or 170SHL are available. (Sold separately Part Number 1121A00023-1)



Electromagnetic Industries LLP

www.electromagnetic.biz

CURRENT TRANSFORMERS

Model 170 (Window Size: 4.25" Diameter)

