



CURRENT TRANSFORMERS

Model 126 (Window Size: 8.25" Diameters)

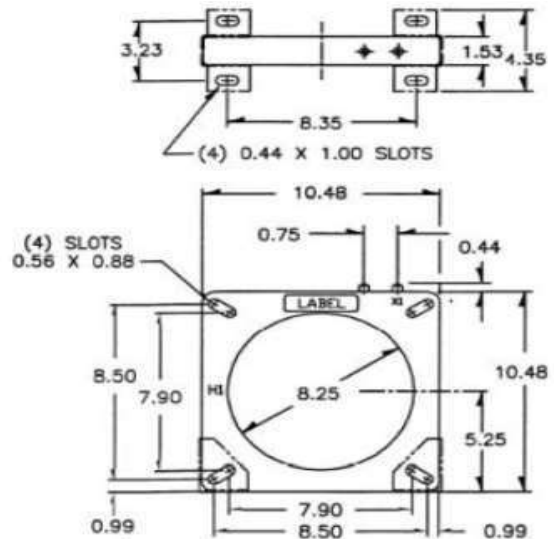
Application: Metering

Frequency: 50-400 Hz

Insulation Level: 600 Volts, 10Kv BIL Full Wave

Standards: CSA 66.1-06, CSA 66.2-06, IEEE C 57.13, and UL 506

- Terminals are brass studs No. 8-32 UNC with one flat washer, one lock washer and one nut each.
- Flexible leads are available for this case configuration. Flexible leads are UL 1015 105°C, C.S.A. approved #16 AWG, 24" long standard length. Non-Standard lengths are available upon request.
- Mounting Bracket Kits for the Model 126 SHT are available when required. Part Number 1121A00018-2
- Approximate weight: 3 lbs.



| Catalog Number | Current Ratio | VA For ± 1% Class | ANSI Metering Class at 60 Hz. | | | | | Secondary Winding Resistance Ohms at 75°C | Continuous Thermal Rating Factor | |
|----------------|---------------|-------------------|-------------------------------|------|------|------|------|--|----------------------------------|---------|
| | | | B0.1 | B0.2 | B0.5 | B0.9 | B1.8 | | at 30°C | at 55°C |
| 126-401 | 400:5 | 4.0 | 0.6 | 1.2 | 1.2 | 2.4 | 4.8 | 0.116 | 2.0 | 2.0 |
| 126-501 | 500:5 | 7.5 | 0.6 | 0.6 | 1.2 | 1.2 | 2.4 | 0.145 | 2.0 | 2.0 |
| 126-601 | 600:5 | 10.0 | 0.6 | 0.6 | 0.6 | 1.2 | 2.4 | 0.173 | 2.0 | 2.0 |
| 126-751 | 750:5 | 15.0 | 0.3 | 0.3 | 0.6 | 0.6 | 1.2 | 0.217 | 2.0 | 1.5 |
| 126-801 | 800:5 | 20.0 | 0.3 | 0.3 | 0.6 | 0.6 | 1.2 | 0.231 | 2.0 | 1.5 |
| 126-102 | 1000:5 | 25.0 | 0.3 | 0.3 | 0.3 | 0.6 | 0.6 | 0.289 | 2.0 | 1.5 |
| 126-122 | 1200:5 | 40.0 | 0.3 | 0.3 | 0.3 | 0.3 | 0.3 | 0.347 | 1.5 | 1.33 |
| 126-152 | 1500:5 | 50.0 | 0.3 | 0.3 | 0.3 | 0.3 | 0.3 | 0.434 | 1.5 | 1.0 |
| 126-162 | 1600:5 | 50.0 | 0.3 | 0.3 | 0.3 | 0.3 | 0.3 | 0.462 | 1.5 | 1.0 |
| 126-202 | 2000:5 | 60.0 | 0.3 | 0.3 | 0.3 | 0.3 | 0.3 | 0.578 | 1.33 | 1.0 |
| 126-252 | 2500:5 | 75.0 | 0.3 | 0.3 | 0.3 | 0.3 | 0.3 | 0.904 | 1.0 | 0.8 |
| 126-302 | 3000:5 | 90.0 | 0.3 | 0.3 | 0.3 | 0.3 | 0.3 | 0.722 | 1.33 | 1.0 |
| 126-322 | 3200:5 | 95.0 | 0.3 | 0.3 | 0.3 | 0.3 | 0.3 | 0.770 | 1.33 | 1.0 |
| 126-352 | 3500:5 | 100.0 | 0.3 | 0.3 | 0.3 | 0.3 | 0.3 | 0.842 | 1.0 | 0.8 |
| 126-402 | 4000:5 | 125.0 | 0.3 | 0.3 | 0.3 | 0.3 | 0.3 | 0.962 | 1.0 | 0.8 |
| 126-502 | 5000:5 | 140.00 | 0.3 | 0.3 | 0.3 | 0.3 | 0.3 | 1.203 | 1.0 | 0.8 |
| 126-602 | 6000:5 | 140.00 | 0.3 | 0.3 | 0.3 | 0.3 | 0.3 | 1.203 | 1.0 | 0.8 |



CURRENT TRANSFORMERS

Model 126 (Window Size: 8.25" Diameters)

