



## CURRENT TRANSFORMERS

### Model 125 (Window Size: 6.31" Diameters)

**Application:** Metering

**Frequency:** 50-400 Hz

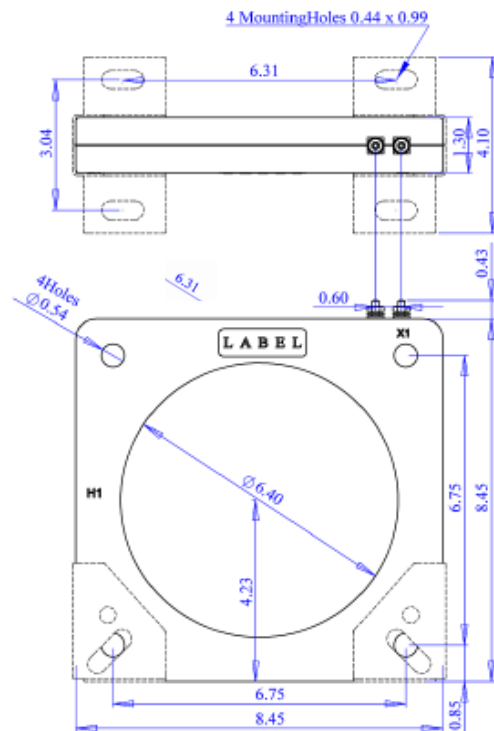
**Insulation Level:** 600 Volts, 10Kv BIL Full Wave

**Standards:** CSA 66.1-06, CSA 66.2-06, IEEE C 57.13, and UL 506

- Terminals are brass studs No. 8-32 UNC with one flat washer, one lock washer and one nut each.
- Flexible leads are available for this case configuration. Flexible leads are UL 1015 105°C, C.S.A. approved #16 AWG, 24" long standard length. Non-Standard lengths are available upon request.
- Mounting Bracket Kits for the Model 125 SHT are available when required. Part Number 1121A00018-1
- Approximate weight: 3 lbs.



MODEL 125





# Electromagnetic Industries LLP

[www.electromagnetic.biz](http://www.electromagnetic.biz)

## CURRENT TRANSFORMERS

Model 125 (Window Size: 6.31" Diameters)

Catalog Number	Current Ratio	ANSI Metering Class at 60 Hz.					Secondary Winding Resistance Ohms at 75°C	Continuous Thermal Rating Factor	
		B0.1	B0.2	B0.5	B0.9	B1.8		at 30°C	at 55°C
125-601	600:5	0.3	0.3	1.2	1.2	2.4	0.072	1.5	1.33
125-751	750:5	0.3	0.3	0.6	1.2	2.4	0.143	1.5	1.33
125-801	800:5	0.3	0.3	0.6	1.2	2.4	0.116	1.5	1.33
125-102	1000:5	0.3	0.3	0.3	0.6	1.2	0.187	1.5	1.33
125-122	1200:5	0.3	0.3	0.3	0.6	1.2	0.223	1.5	1.33
125-152	1500:5	0.3	0.3	0.3	0.3	0.6	0.285	1.5	1.33
125-162	1600:5	0.3	0.3	0.3	0.3	0.6	0.304	1.5	1.33
125-202	2000:5	0.3	0.3	0.3	0.3	0.6	0.280	1.5	1.0
125-252	2500:5	0.3	0.3	0.3	0.3	0.6	0.351	1.33	1.0
125-302	3000:5	0.3	0.3	0.3	0.3	0.6	0.421	1.33	1.0
125-322	3200:5	0.3	0.3	0.3	0.3	0.6	0.435	1.33	1.0
125-352	3500:5	0.3	0.3	0.3	0.3	0.3	0.491	1.33	1.0
125-402	4000:5	0.3	0.3	0.3	0.3	0.3	0.696	1.0	0.8
125-502	5000:5	0.3	0.3	0.3	0.3	0.3	1.019	1.0	0.8

