



## CURRENT TRANSFORMERS

### Model 125 Ratio to 1 (Window Size: 6.31" Diameters)

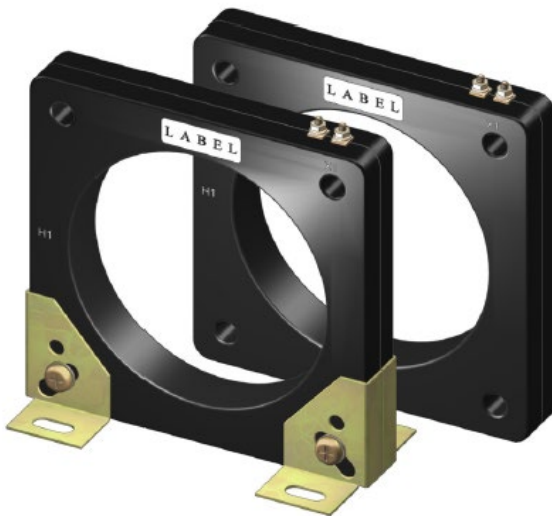
**Application:** Metering

**Frequency:** 50-400 Hz

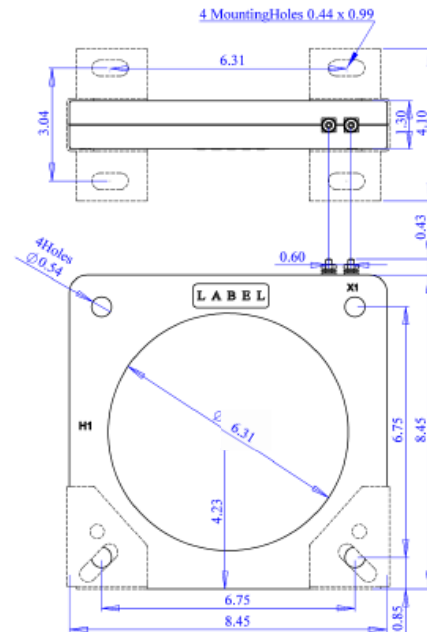
**Insulation Level:** 600 Volts, 10Kv BIL Full Wave

**Standards:** CSA 66.1-06, CSA 66.2-06, IEEE C 57.13, and UL 506

- Terminals are brass studs No. 8-32 UNC with one flat washer, one lock washer and one nut each.
- Flexible leads are available for this case configuration. Flexible leads are UL 1015 105°C, C.S.A. approved #16 AWG, 24" long standard length. Non-Standard lengths are available upon request.
- Mounting Bracket Kits for the Model 125 SHT are available when required. Part Number 1121A00018-1
- Approximate weight: 3 lbs.



MODEL 125



Catalog Number	Current Ratio	ANSI Metering Class at 60 Hz.					VA @ 1%
		B0.1	B0.2	B0.5	B0.9	B1.8	
125-501-1	500:1	1.2	2.4	4.8	4.8	-	2
125-601-1	600:1	0.6	0.6	1.2	2.4	-	10
125-751-1	750:1	0.6	0.6	1.2	2.4	-	10
125-801-1	800:1	0.6	0.6	1.2	1.2	2.4	15
125-102-1	1000:1	0.3	0.3	0.6	0.6	1.2	35
125-122-1	1200:1	0.3	0.3	0.6	0.6	1.2	45
125-152-1	1500:1	0.3	0.3	0.3	0.3	0.6	60
125-202-1	2000:1	0.15	0.15	0.3	0.3	0.6	75
125-302-1	3000:1	0.15	0.15	0.3	0.3	0.3	75
125-402-1	4000:1	0.3	0.3	0.3	0.3	0.3	75

