



CURRENT TRANSFORMERS

Model 114 (Window Size: 3.25" Diameters)

Application: Used for Relay and Metering applications

Frequency: 50-400 Hz

Insulation Level: 600 Volts, 10Kv BIL Full Wave

Standards: CSA 66.1-06, CSA 66.2-06, IEEE C 57.13, and UL 506

- Terminals are brass studs No. 8-32 UNC with one flat washer, one lock washer and one nut each.
- Other Ratios available on request.
- Mounting Bracket Kits are sold separately (P/N 0221B01525)
- Approximate weight: 22 lbs.



Catalog Number	Current Ratio	Relay Class	ANSI Metering Class at 60 Hz.					Secondary Winding Resistance Ohms at 75°C	Continuous Thermal Rating Factor	
			B0.1	B0.2	B0.5	B0.9	B1.8		at 30°C	at 55°C
114-500	50:5	C10	1.2	4.8	---	---	--	0.025	2.0	2.0
114-750	75:5	C10	1.2	1.2	4.8	---	---	0.046	2.0	2.0
114-101	100:5	C10	1.2	1.2	2.4	4.8	---	0.062	2.0	2.0
114-151	150:5	C20	0.6	0.6	1.2	2.4	4.8	0.093	2.0	2.0
114-201	200:5	C20	0.3	0.3	0.6	1.2	2.4	0.113	2.0	2.0
114-251	250:5	C50	0.3	0.3	0.6	1.2	1.2	0.155	2.0	2.0
114-301	300:5	C50	0.3	0.3	0.6	0.6	1.2	0.186	2.0	2.0
114-401	400:5	C50	0.3	0.3	0.3	0.3	0.6	0.248	2.0	1.5
114-501	500:5	C100	0.3	0.3	0.3	0.3	0.6	0.309	2.0	1.5
114-601	600:5	C100	0.3	0.3	0.3	0.3	0.3	0.371	1.5	1.33
114-751	750:5	C100	0.3	0.3	0.3	0.3	0.3	0.464	1.5	1.0
114-801	800:5	C100	0.3	0.3	0.3	0.3	0.3	0.495	1.5	1.0
114-102	1000:5	C100	0.3	0.3	0.3	0.3	0.3	0.597	1.5	1.0
114-122	1200:5	C200	0.3	0.3	0.3	0.3	0.3	0.716	1.33	1.0
114-152	1500:5	C200	0.3	0.3	0.3	0.3	0.3	0.896	1.0	0.8
114-162	1600:5	C200	0.3	0.3	0.3	0.3	0.3	0.955	1.0	0.8

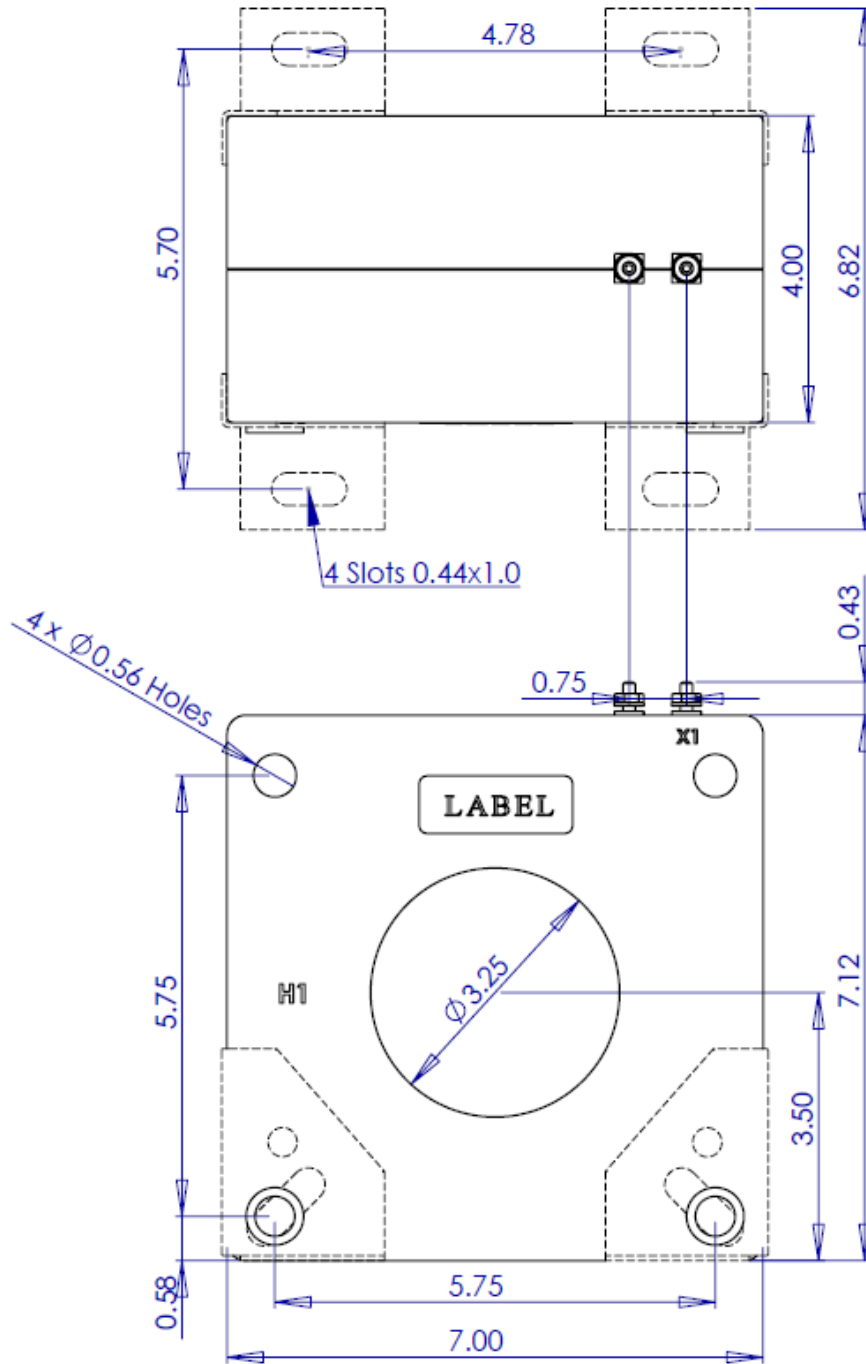


Electromagnetic Industries LLP

www.electromagnetic.biz

CURRENT TRANSFORMERS

Model 114 (Window Size: 3.25" Diameter)





Electromagnetic Industries LLP

www.electromagnetic.biz

CURRENT TRANSFORMERS

Model 114 (Window Size: 3.25" Diameter)

