



CURRENT TRANSFORMERS

Model 113 (Window Size: 2.75" Diameters)

Application: Used for Relay and Metering applications

Frequency: 50-400 Hz

Insulation Level: 600 Volts, 10Kv BIL Full Wave

Standards: CSA 66.1-06, CSA 66.2-06, IEEE C 57.13, and UL 506

- Terminals are brass studs No. 8-32 UNC with one flat washer, one lock washer and one nut each.
- Other Ratios available on request.
- Mounting Bracket Kits are sold separately (P/N 0221B01525)
- Approximate weight: 23 lbs.



Catalog Number	Current Ratio	Relay Class	ANSI Metering Class at 60 Hz.					Secondary Winding Resistance Ohms at 75°C	Continuous Thermal Rating Factor	
			B0.1	B0.2	B0.5	B0.9	B1.8		at 30°C	at 55°C
113-500	50:5	C10	2.4	4.8	---	---	--	0.033	2.0	2.0
113-750	75:5	C10	0.6	1.2	4.8	4.8	---	0.043	2.0	2.0
113-101	100:5	C20	0.6	0.6	2.4	2.4	4.8	0.059	2.0	2.0
113-151	150:5	C20	0.3	0.3	0.6	1.2	2.4	0.089	2.0	2.0
113-201	200:5	C20	0.3	0.3	0.6	0.6	1.2	0.118	2.0	2.0
113-251	250:5	C50	0.3	0.3	0.6	0.6	1.2	0.163	2.0	2.0
113-301	300:5	C50	0.3	0.3	0.3	0.6	1.2	0.195	2.0	2.0
113-401	400:5	C100	0.3	0.3	0.3	0.3	0.6	0.260	2.0	1.5
113-501	500:5	C100	0.3	0.3	0.3	0.3	0.3	0.325	2.0	1.5
113-601	600:5	C100	0.3	0.3	0.3	0.3	0.3	0.390	1.5	1.33
113-751	750:5	C200	0.3	0.3	0.3	0.3	0.3	0.488	1.5	1.0
113-801	800:5	C200	0.3	0.3	0.3	0.3	0.3	0.503	1.5	1.0
113-102	1000:5	C200	0.3	0.3	0.3	0.3	0.3	0.629	1.33	1.0
113-122	1200:5	C200	0.3	0.3	0.3	0.3	0.3	0.755	1.33	1.0
113-152	1500:5	C200	0.3	0.3	0.3	0.3	0.3	0.943	1.0	0.8

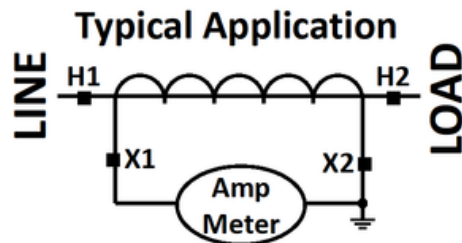
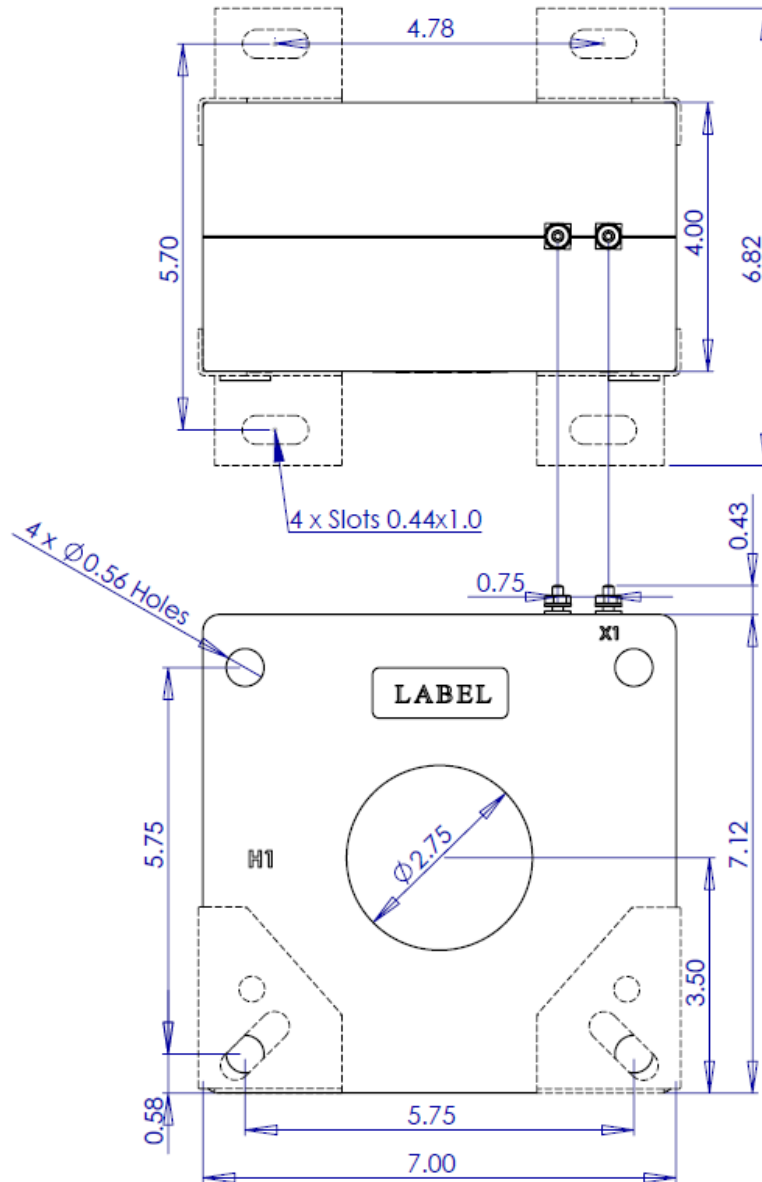


Electromagnetic Industries LLP

www.electromagnetic.biz

CURRENT TRANSFORMERS

Model 113 (Window Size: 2.75" Diameter)





Electromagnetic Industries LLP

www.electromagnetic.biz

CURRENT TRANSFORMERS

Model 113 (Window Size: 2.75" Diameter)

