



CURRENT TRANSFORMERS

Model 112 (Window Size: 2.25" Diameters)

Application: Used for Relay and Metering applications

Frequency: 50-400 Hz

Insulation Level: 600 Volts, 10Kv BIL Full Wave

Standards: CSA 66.1-06, CSA 66.2-06, IEEE C 57.13, and UL 506

- Terminals are brass. Stud and Female options w/ hardware available.
- Other Ratios available on request.
- Mounting Bracket Kits are sold separately (P/N 0221B01525)
- Approximate weight: 25 lbs.



Catalog Number	Current Ratio	Relay Class	ANSI Metering Class at 60 Hz.					Secondary Winding Resistance Ohms at 75°C	Continuous Thermal Rating Factor	
			B0.1	B0.2	B0.5	B0.9	B1.8		at 30°C	at 55°C
112-500	50:5	C10	1.2	2.4	---	---	--	0.029	2.0	2.0
112-750	75:5	C10	0.6	1.2	2.4	4.8	---	0.046	2.0	2.0
112-101	100:5	C20	0.6	0.6	2.4	2.4	4.8	0.062	2.0	2.0
112-151	150:5	C20	0.3	0.6	1.2	1.2	2.4	0.093	2.0	2.0
112-201	200:5	C50	0.3	0.3	0.3	0.6	1.2	0.124	2.0	2.0
112-251	250:5	C50	0.3	0.3	0.3	0.3	0.6	0.155	2.0	2.0
112-301	300:5	C100	0.3	0.3	0.3	0.3	0.6	0.186	2.0	2.0
112-401	400:5	C100	0.3	0.3	0.3	0.3	0.3	0.248	2.0	1.5
112-501	500:5	C100	0.3	0.3	0.3	0.3	0.3	0.341	2.0	1.5
112-601	600:5	C100	0.3	0.3	0.3	0.3	0.3	0.409	1.5	1.33
112-751	750:5	C200	0.3	0.3	0.3	0.3	0.3	0.495	1.5	1.0
112-801	800:5	C200	0.3	0.3	0.3	0.3	0.3	0.529	1.5	1.0
112-102	1000:5	C200	0.3	0.3	0.3	0.3	0.3	0.661	1.33	1.0
112-122	1200:5	C200	0.3	0.3	0.3	0.3	0.3	0.793	1.33	1.0

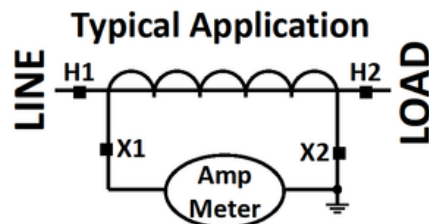
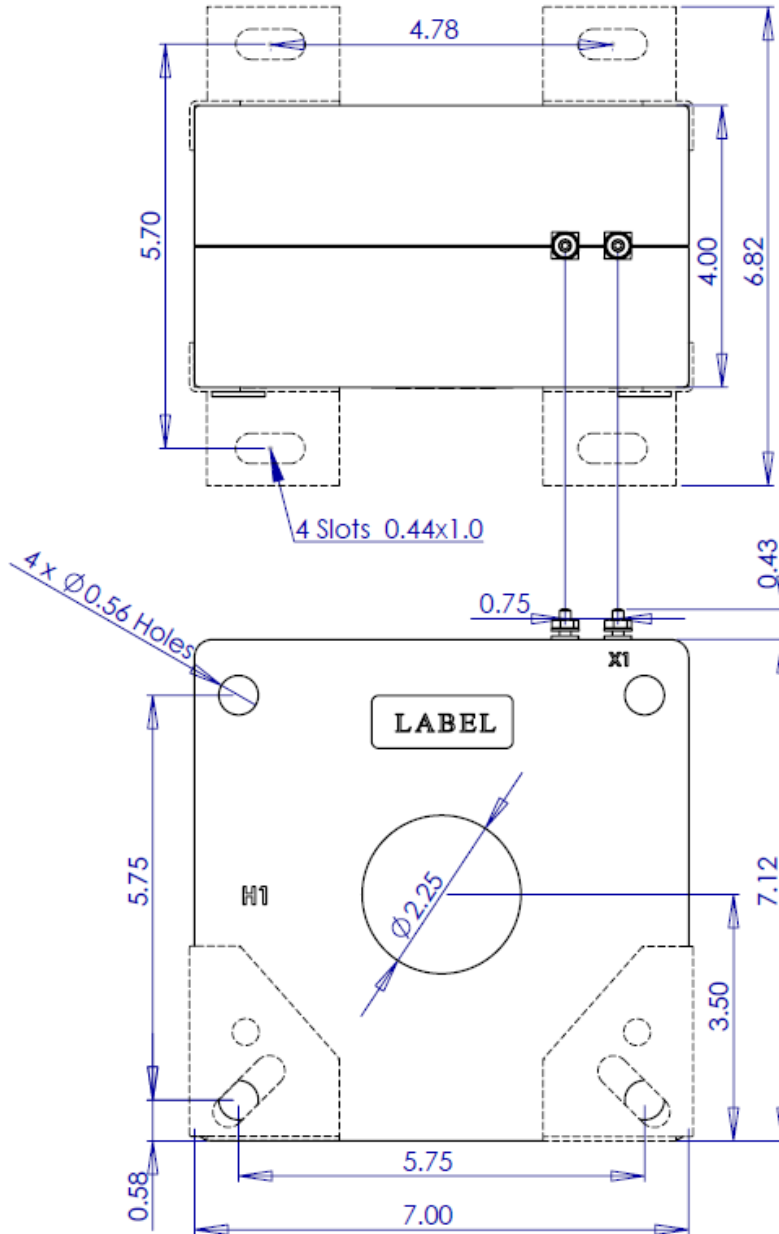


Electromagnetic Industries LLP

www.electromagnetic.biz

CURRENT TRANSFORMERS

Model 112 (Window Size: 2.25" Diameter)





Electromagnetic Industries LLP

www.electromagnetic.biz

CURRENT TRANSFORMERS

Model 112 (Window Size: 2.25" Diameter)

