



## CURRENT TRANSFORMERS

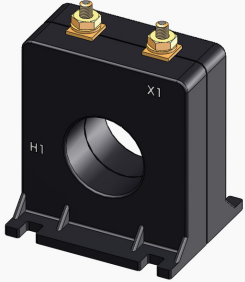
### Model 2 (Window Size: 1.00", 1.05" & 1.10" Diameters)

**Application:** Generally used with ammeters.

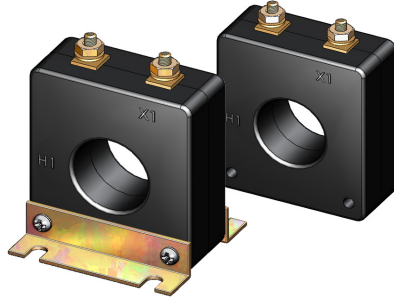
**Frequency:** 50-400 Hz

**Insulation Level:** 600 Volts, 10Kv BIL Full Wave

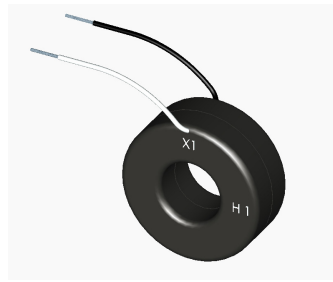
- Flexible leads available for all case configurations. Flexible leads are UL 1015 105°C, C.S.A approved #16 AWG, 24" long standard length. Non-standard lengths are available upon request.
- Terminals are brass studs No. 8-32 UNC with one flat washer, one lock washer and one nut each. Terminals are only available on the square case configuration.
- Mounting brackets kits for the Model 2SHT or 2SHL are available when required.
- Approximate weight: 0.5 lbs.



2SFT



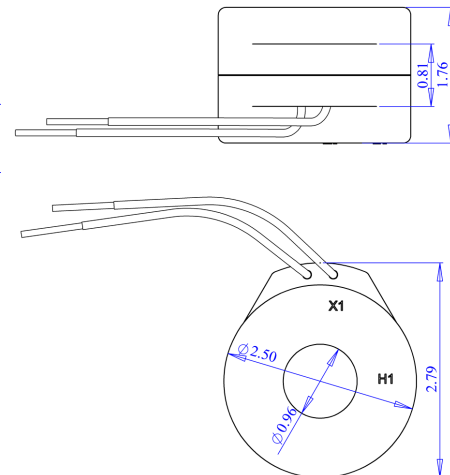
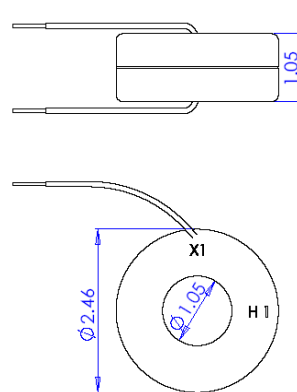
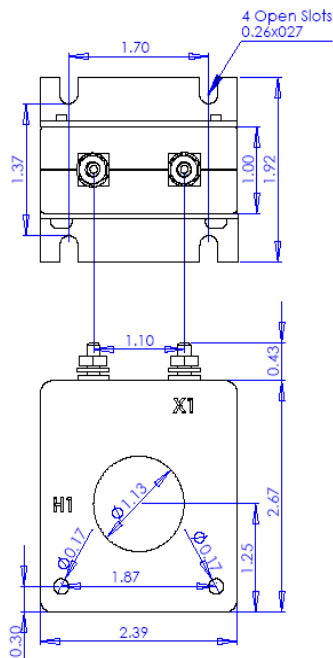
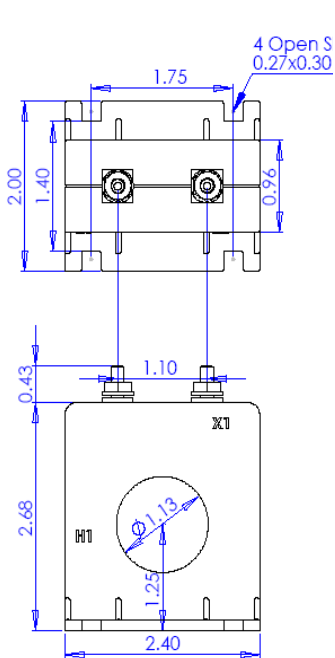
2 SHT



2 RL



2 DRL



\*Note-Mounting brackets for the 2SHT and 2SHL are sold separately (Part Number 1121A00019-1)



## CURRENT TRANSFORMERS

Model 2 (Window Size: 1.00", 1.05" & 1.10" Diameters)

Catalog Number	Current Ratio	VA for $\pm$ 1% Class	Models 2SFT, 2SHT, 2RL		Models 2DRL	
			Accuracy at 60 Hz	Burden VA at 60Hz	Accuracy at 60 Hz	Burden VA at 60Hz
2 **--500	50:5	4.0	$\pm$ 3%	2.0	$\pm$ 2%	1.5
2 **--600	60:5	10.0	$\pm$ 2%	2.0	$\pm$ 1%	2.5
2 **--750	75:5	15.0	$\pm$ 2%	2.0	$\pm$ 1%	3.5
2 **--800	80:5	15.0	$\pm$ 2%	2.0	$\pm$ 1%	4.0
2 **--101	100:5	25.0	$\pm$ 1%	2.0	$\pm$ 1%	5.0
2 **--121	120:5	30.0	$\pm$ 1%	2.5	$\pm$ 1%	5.0
2 **--1250	125:5	30.0	$\pm$ 1%	2.5	$\pm$ 1%	5.0
2 **--151	150:5	40.0	$\pm$ 1%	4.0	$\pm$ 1%	8.0
2 **--201	200:5	15.0	$\pm$ 1%	4.0	$\pm$ 1%	10.0
2 **--251	250:5	15.0	$\pm$ 1%	6.0	$\pm$ 1%	12.5
2 **--301	300:5	20.0	$\pm$ 1%	8.0	$\pm$ 1%	15.0
2 **--401	400:5	20.0	$\pm$ 1%	10.0	$\pm$ 1%	20.0

\*\*Note: When ordering, use prefix below to indicate unit designation/configuration.  
(i.e. 2SFT-101)

SFT= Square Case w/molded feet and terminals

SFL= Square Case w/molded feet and 24" leads

\*SHT= Square Case w/o molded feet and terminals

\*SHL= Square Case w/o molded feet and 24" leads

RL= Thin Round Case and 24" leads

DRL= Thick Round Case and 24" leads

\*Note-Mounting Brackets for the 2SHT and 2SHL Part Number 1121A00019-1