



# CURRENT TRANSFORMERS

## Model 76 (Window Size: 3.00" Diameters)

**Application:** Used with ammeters, wattmeters and cross current compensation.

**Frequency:** 50 -400Hz

**Insulation Level:** 600 Volts, 10kv BIL Full Wave

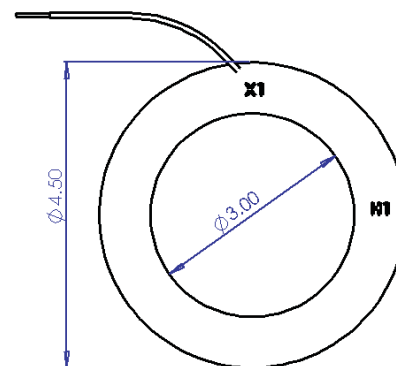
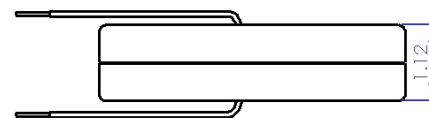
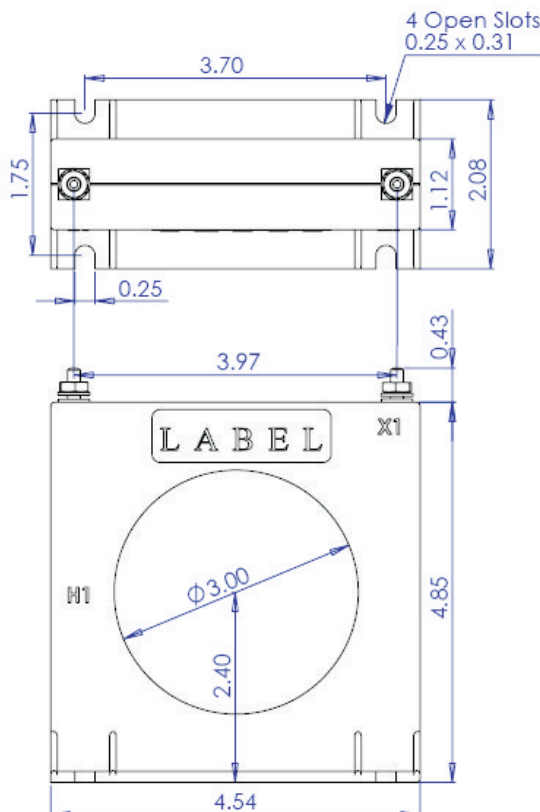
- Flexible leads available for all case configurations. Flexible leads are UL 1015 105°C, C.S.A. approved #16 AWG, 24" long standard length. Non-standard lengths are available upon request.
- Terminals are brass studs No. 8-32 UNC with one flat washer, one lock washer and one nut each. Terminals are only available on the square case configuration.
- Approximate weight: 0.8 lbs.



76 SFT



76 RL





## CURRENT TRANSFORMERS

Model 76 (Window Size: 3.00" Diameters)

Catalog Number	Current Ratio	Accuracy at 60 Hz	Burden VA at 60 Hz
76**-201	200:5	±1%	5.0
76**-251	250:5	±1%	5.0
76**-301	300:5	±1%	6.0
76**-401	400:5	±1%	10.0
76**-501	500:5	±1%	10.0
76**-601	600:5	±1%	10.0
76**-751	750:5	±1%	12.5
76**-801	800:5	±1%	12.5
76**-102	1000:5	±1%	12.5
76**-122	1200:5	±1%	12.5
76**-152	1500:5	±1%	12.5
76**-162	1600:5	±1%	12.5
76**-202	2000:5	±1%	15.0

\*\*Note: When ordering, use prefix below to indicate unit designation/configuration.  
(i.e. 76SFT-201).

SFT = Square Case w/ molded feet and terminals

SFL = Square Case w/ molded feet and 24" leads

RL = Round Case and 24" leads