



CURRENT TRANSFORMERS

Model 7 (Window Size: 2.50" Diameter)

Application: Used with ammeters, wattmeters and cross current compensation

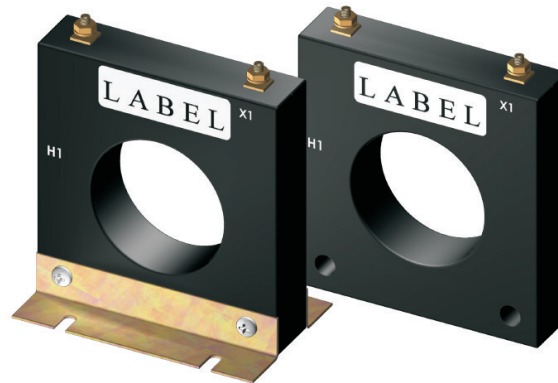
Frequency: 50 -400Hz

Insulation Level: 600 Volts, 10kv BIL Full Wave

- Flexible leads available for all case configurations. Flexible leads are UL 1015 105°C, C.S.A. approved #16 AWG, 24" long standard length. Non-standard lengths are available upon request.
- Terminals are brass studs No. 8-32 UNC with one flat washer, one lock washer and one nut each. Terminals are only available on the square case configuration.
- Mounting brackets kits for the Model 7SHT or 7SHL are available when required.
- Approximate weight: 1.5 lbs.



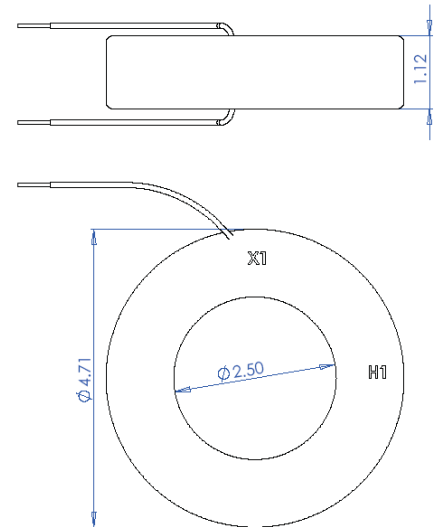
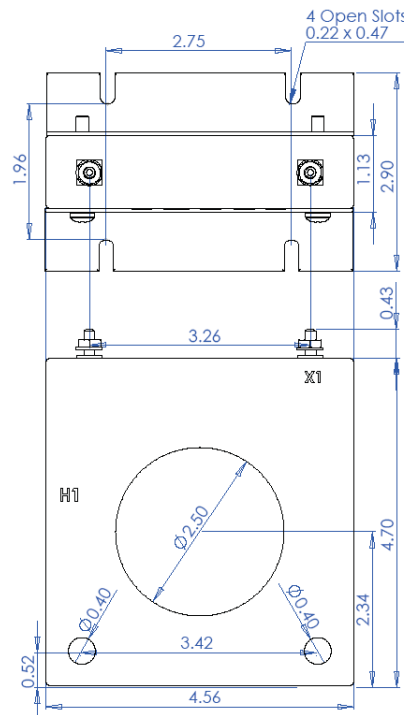
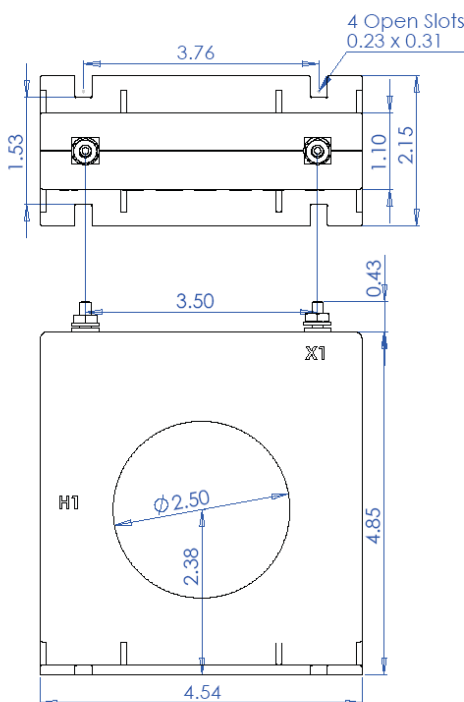
7 SFT



7 SHT



7 RL



*Note - Mounting Kits for the 7SHT and 7SHL are sold separately (Part Number 1121A00021-1)



CURRENT TRANSFORMERS

Model 7 (Window Size: 2.50" Diameter)

Catalog Number	Current Ratio	Accuracy at 60 Hz	Burden VA at 60 Hz
7**-101	100:5	+/- 2%	2.5
7**-151	150:5	+/- 1%	5.0
7**-201	200:5	+/- 1%	5.0
7**-251	250:5	+/- 1%	5.0
7**-301	300:5	+/- 1%	12.5
7**-401	400:5	+/- 1%	15.0
7**-501	500:5	+/- 1%	25.0
7**-601	600:5	+/- 1%	30.0
7**-751	750:5	+/- 1%	30.0
7**-801	800:5	+/- 1%	35.0
7**-102	1000:5	+/- 1%	35.0
7**-122	1200:5	+/- 1%	35.0
7**-152	1500:5	+/- 1%	40.0
7**-162	1600:5	+/- 1%	45.0

**Note: When ordering, use prefix below to indicate unit designation/configuration. (i.e. 7SFT-101).

SFT = Square Case w/ molded feet and terminals

SFL = Square Case w/ molded feet and 24" leads

*SHT = Square Case w/o molded feet and terminals

*SHL = Square Case w/o molded feet and 24" leads

RL = Thin Round Case and 24" leads

DRL = Thick Round Case and 24" leads

*Note - Mounting hardware for the 7SHT and 7SHL Part Number 1121A00021-1.