



CURRENT TRANSFORMERS

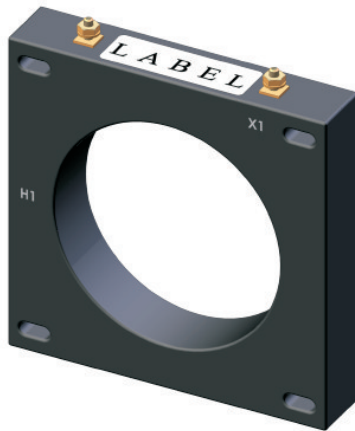
Model 19 (Window Size: 4.25" Diameters)

Application: Used with ammeters, wattmeters and cross current compensation.

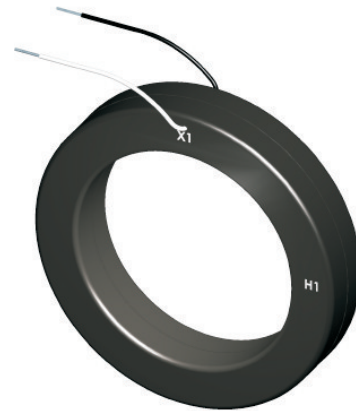
Frequency: 50 -400Hz

Insulation Level: 600 Volts, 10kv BIL Full Wave

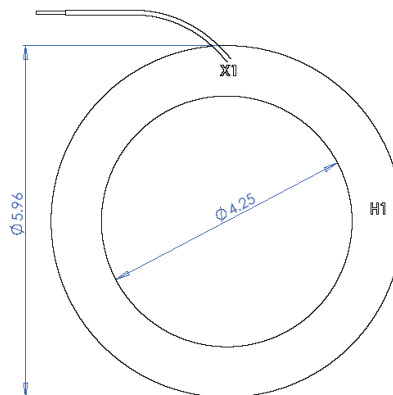
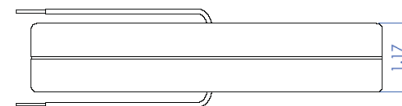
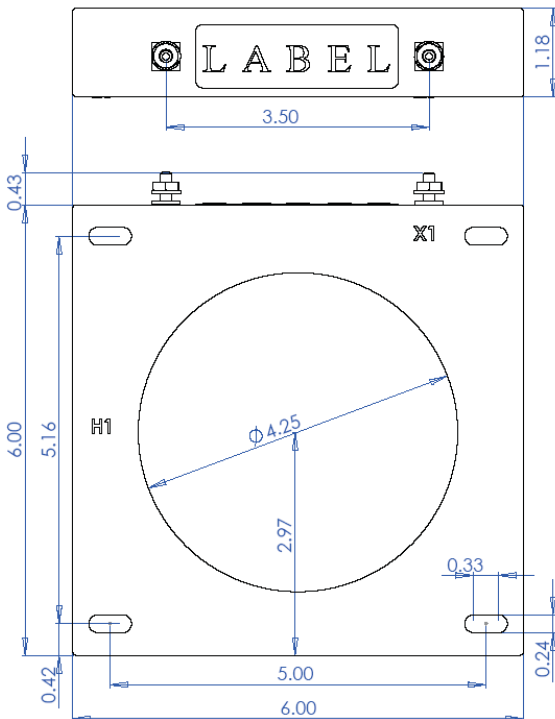
- Flexible leads available for all case configurations. Flexible leads are UL 1015 105°C, C.S.A. approved #16 AWG, 24" long standard length. Non-standard lengths are available upon request.
- Terminals are brass studs No. 8-32 UNC with one flat washer, one lock washer and one nut each. Terminals are only available on the square case configuration.
- Approximate weight: 3 lbs.



19 SHT



19 RL



**CURRENT TRANSFORMERS****Model 19 (Window Size: 4.25" Diameters)**

Catalog Number	Current Ratio	VA for $\pm 1\%$ Class	ANSI Metering Class at 60 Hz.					Secondary Winding Resistance in Ohms at 75°C	Continuous Thermal Rating Factor	
			B0.1	B0.2	B0.5	B0.9	B1.8		at 30°C	at 55°C
19 **—301	300:5	4.0	0.6	0.6	2.4	2.4	4.8	0.048	2.0	2.0
19 **—401	400:5	10.0	0.3	0.3	1.2	2.4	2.4	0.064	2.0	2.0
19 **—501	500:5	15.0	0.3	0.3	0.6	1.2	2.4	0.087	2.0	1.5
19 **—601	600:5	15.0	0.3	0.3	0.6	1.2	1.2	0.116	2.0	1.5
19 **—751	750:5	25.0	0.3	0.3	0.3	0.6	1.2	0.145	1.5	1.33
19 **—801	800:5	30.0	0.3	0.3	0.3	0.6	1.2	0.155	1.5	1.33
19 **—102	1000:5	30.0	0.3	0.3	0.3	0.6	1.2	0.242	1.33	1.0
19 **—122	1200:5	40.0	0.3	0.3	0.3	0.3	0.6	0.291	1.33	1.0
19 **—152	1500:5	15.0	0.3	0.3	0.6	0.6	0.6	0.200	1.5	1.0
19 **—162	1600:5	15.0	0.3	0.3	0.3	0.6	0.6	0.213	1.5	1.0
19 **—202	2000:5	20.0	0.3	0.3	0.3	0.3	0.6	0.266	1.33	1.0
19 **—252	2500:5	20.0	0.3	0.3	0.3	0.3	0.3	0.333	1.0	0.8
19 **—302	3000:5	25.0	0.3	0.3	0.3	0.3	0.3	0.399	1.0	0.8

**Note: When ordering, use prefix below to indicate unit designation/configuration.
(i.e. 19SHT-301).



ELECTROMAGNETIC INDUSTRIES LLP

Model 19

