



CURRENT TRANSFORMERS

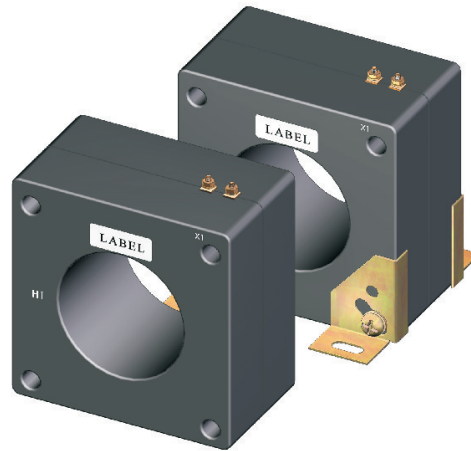
Model 115 (Window Size: 4.00" Diameter)

Application: Used in Relay and Metering applications

Frequency: 50 -400Hz

Insulation Level: 600 Volts, 10kv BIL Full Wave

- Terminals are brass studs No. 8-32 UNC with one flat washer, one lock washer and one nut each.
- Other Ratios available on request.
- Mounting Brackets Kit sold separately (P/N 0221B01525)
- Approximate weight: 19 lbs.

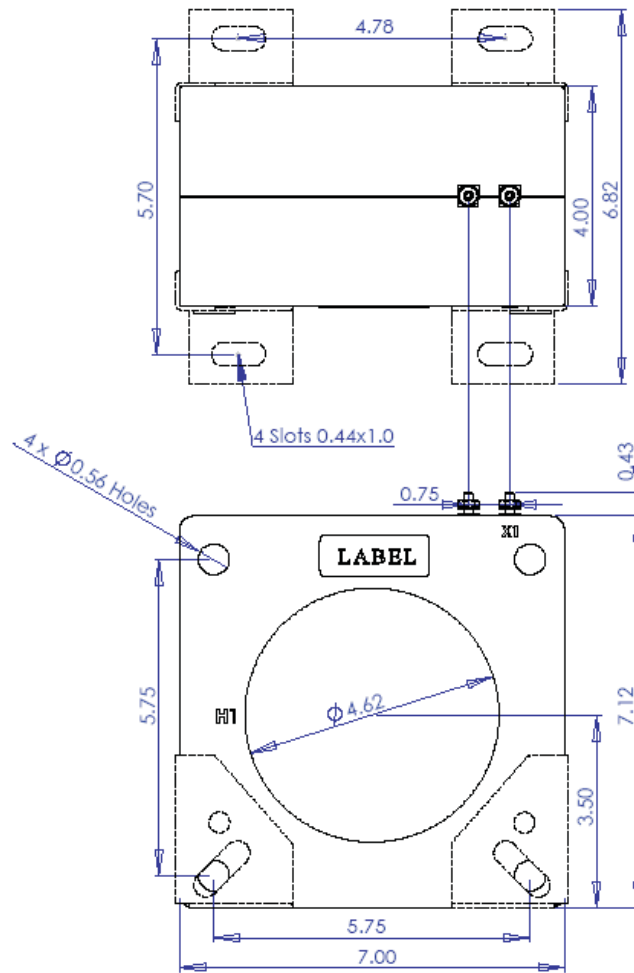


Catalog Number	Current Ratio	Relay Class	ANSI Metering Class at 60Hz					Secondary Winding Resistance (Ohms @ 75C)	Continuous Thermal Rating Factor	
			B0.1	B0.2	B0.5	B0.9	B1.8		@ 30C	@ 55C
115-500	50:5	----	2.4	4.8	-----	-----	-----	0.025	2.0	2.0
115-750	75:5	----	1.2	2.4	4.8	-----	-----	0.037	2.0	2.0
115-101	100:5	C10	1.2	1.2	2.4	4.8	-----	0.046	2.0	2.0
115-151	150:5	C10	0.6	0.6	1.2	2.4	4.8	0.074	2.0	2.0
115-201	200:5	C20	0.3	0.3	0.6	1.2	2.4	0.099	2.0	2.0
115-251	250:5	C20	0.3	0.3	0.6	1.2	2.4	0.127	2.0	2.0
115-301	300:5	C20	0.3	0.3	0.3	0.6	1.2	0.148	2.0	2.0
115-401	400:5	C50	0.3	0.3	0.3	0.3	0.6	0.208	2.0	2.0
115-501	500:5	C50	0.3	0.3	0.3	0.3	0.3	0.247	2.0	1.5
115-601	600:5	C50	0.3	0.3	0.3	0.3	0.3	0.305	2.0	1.5
115-751	750:5	C100	0.3	0.3	0.3	0.3	0.3	0.428	1.5	1.33
115-801	800:5	C100	0.3	0.3	0.3	0.3	0.3	0.457	1.5	1.0
115-102	1000:5	C100	0.3	0.3	0.3	0.3	0.3	0.571	1.5	1.0
115-122	1200:5	C100	0.3	0.3	0.3	0.3	0.3	0.660	1.33	1.0
115-152	1500:5	C100	0.3	0.3	0.3	0.3	0.3	0.825	1.0	0.8
115-162	1600:5	C100	0.3	0.3	0.3	0.3	0.3	0.880	1.0	0.8
115-202	2000:5	C200	0.3	0.3	0.3	0.3	0.3	1.100	1.0	0.8
115-252	2500:5	C100	0.3	0.3	0.3	0.3	0.3	1.292	1.0	0.8
115-302	3000:5	C200	0.3	0.3	0.3	0.3	0.3	1.550	0.8	0.6
115-322	3200:5	C200	0.3	0.3	0.3	0.3	0.3	1.653	0.8	0.6



CURRENT TRANSFORMERS

Model 115 (Window Size: 4.00" Diameter)

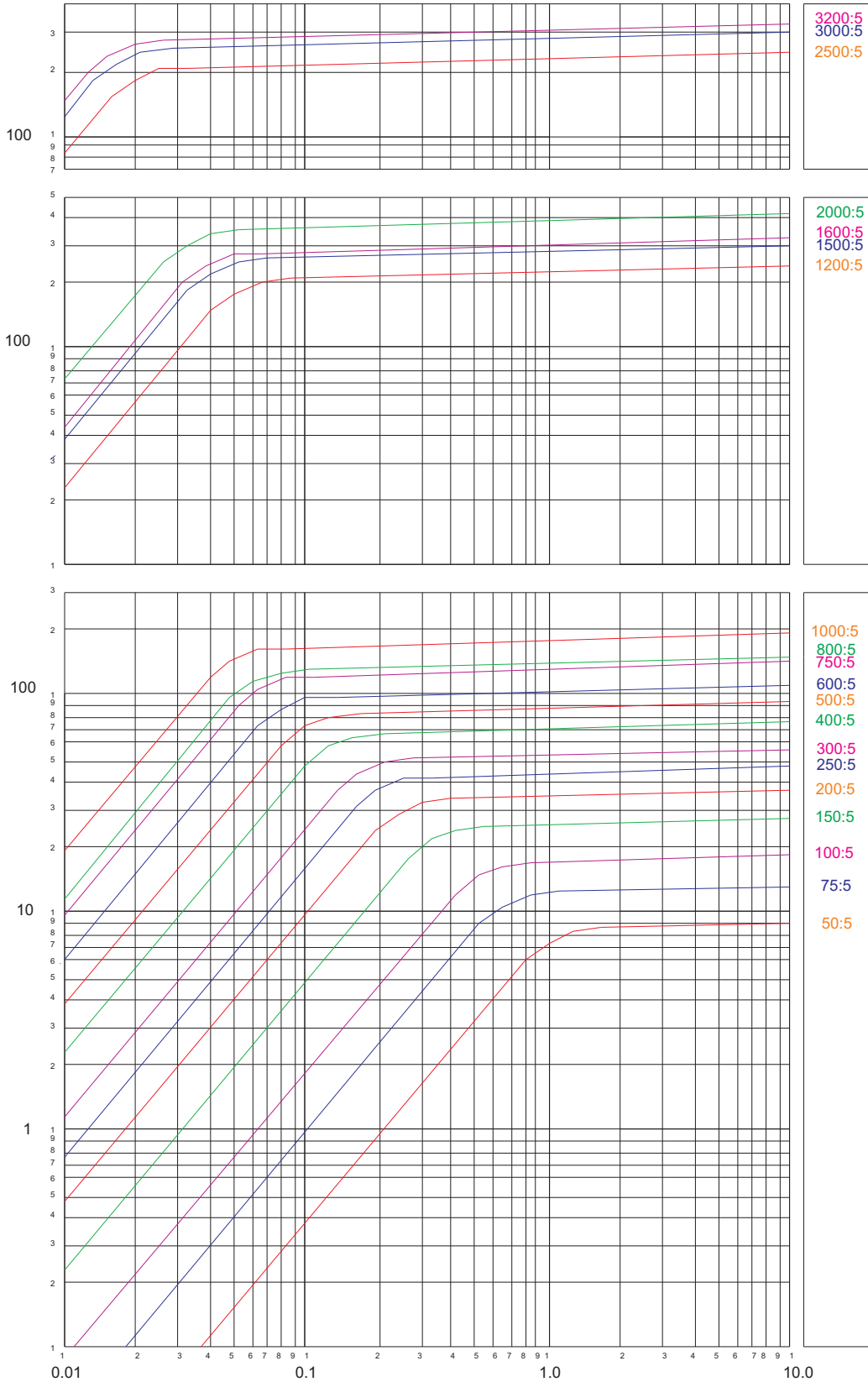




ELECTROMAGNETIC INDUSTRIES LLP

Model 115

**SECONDARY
VOLTAGE
60Hz**



SECONDARY EXCITING CURRENT 60Hz.