



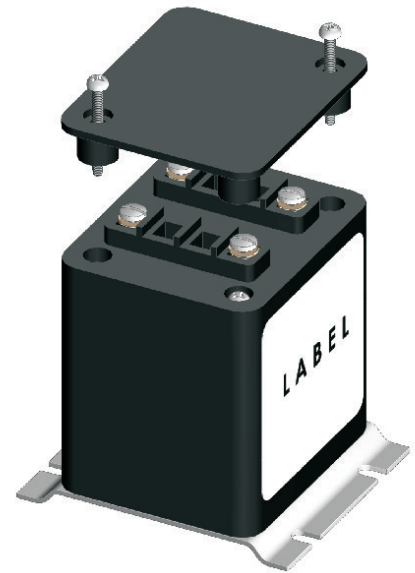
# Voltage Transformer Model 467

These transformers are encased in a thermoplastic case with the core and windings encapsulated in resin. They are designed for line to line operation but may also be used in line to neutral or line to ground configuration at 58% of rated voltage.

It is recommended that a 0.40 Amp fuse be used in the secondary to protect the transformer.

- Frequency: 60Hz
- Standard Secondary Voltage :120 VAC
- Insulation Level: 600 Volt, 10kV BIL Full Wave
- Accuracy Class: +/-1% at all burdens up to 5VA at 1.0 and 0.95 P.F.
- Thermal Rating: 40 VA @ 30 C. amb.  
27 VA @ 55 C. amb.
- Terminals are No. 6-32 binding head screws and cup washers.

**Note: All transformers listed with the exception of the 480v and 600v are ANSI C57.13 group 1. The 480v and 600v are group 2.**



Catalog Number	Voltage Ratio	Turns Ratio	Recomended Primary Fuse Rating
467-069	69.3:120	0.58:1	1.5 A
467-120	120:120	1:1	1 A
467-208	208:120	1.73:1	0.5 A
467-240	240:120	2:1	0.5 A
467-277	277:120	2.31:1	0.5 A
467-288	288:120	2.4:1	0.4 A
467-300	300:120	2.5:1	0.4 A
467-346	346:120	2.88:1	0.4 A
467-480	480:120	4:1	0.25 A
467-600	600:120	5:1	0.25 A

