

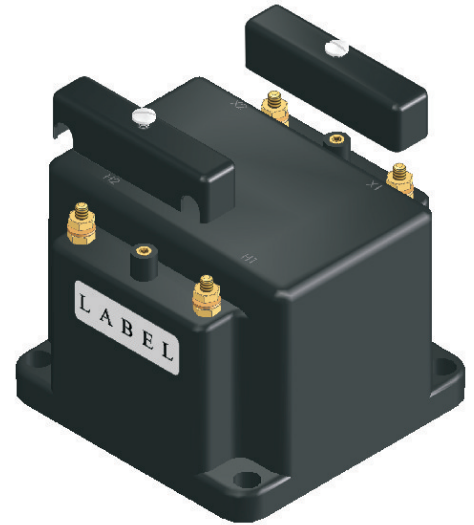


Voltage Transformer Model 460

These transformers are encased in a thermoplastic case with the core and windings encapsulated in resin. They are designed for line to line operation but may also be used in line to neutral or line to ground configuration at 58% of rated voltage.

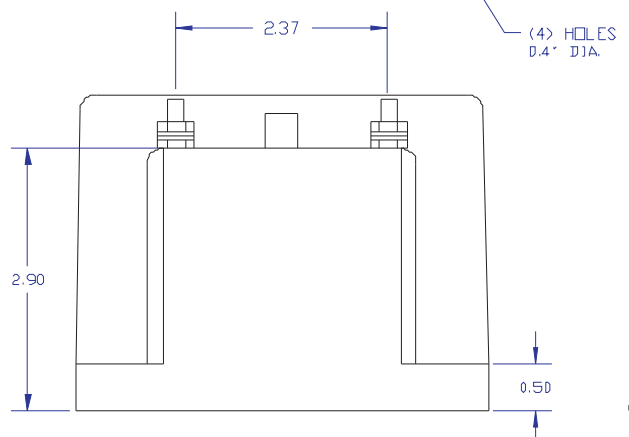
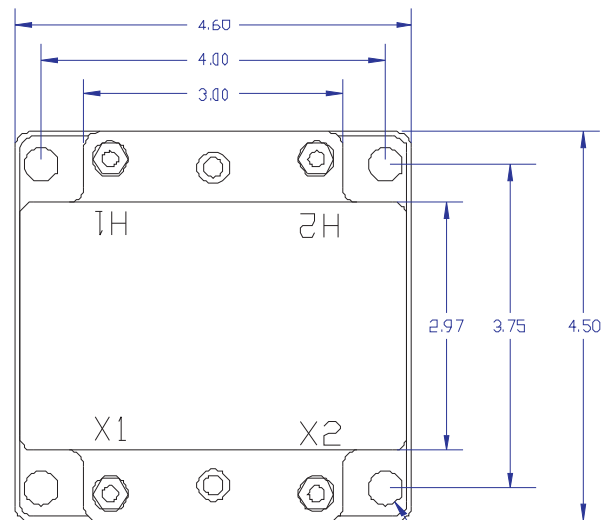
It is recommended that a 1.6 Amp fuse be used in the secondary to protect the transformer.

- Frequency: 60Hz
- Standard Secondary Voltage :120 VAC
- Insulation Level: 600 Volt, 10kV BIL Full Wave
- Accuracy Class: 0.6W, 1.2 X AT 60Hz
- Thermal Rating: 150 VA @ 30 C. amb,
- Terminals are No. 10-32 brass studs with flat washer, lock washer and nut.



Note: All transformers listed with the exception of the 480v and 600v are ANSIC57.13 group 1.

Catalog Number	Voltage Ratio	Turns Ratio	Recommended Primary Fuse Rating
460-069	69.3:120	0.58:1	5A
460-120	120:120	1:1	4A
460-208	208:120	1.73:1	2A
460-240	240:120	2:1	2A
460-277	277:120	2.31:1	2A
460-288	288:120	2.4:1	1.5A
460-300	300:120	2.5:1	1.5A
460-346	346:120	2.88:1	1.5
460-480	480:120	4:1	1A
460-600	600:120	5:1	0.75A



Voltage Transformer Unity Power Factor for 60Hz 0.6 P.F. System Load

