



THREE PHASE VOLTAGE MONITOR

Model- EI-SPVR

APPLICATION: The EI-SPVR protects three phase electrical equipment sensitive to damage from Phase loss, Phase unbalance, Phase reversal, Undervoltage and Overvoltage.

NORMAL INPUT VOLTAGES: 120VAC , 208VAC, 240VAC, 380VAC, 415VAC, 480VAC, 575VAC

FREQUENCY: 50 and 60Hz.

AMBIENT TEMPERATURE RANGE: -30 Deg. C. To +55 Deg. C.

STORAGE TEMPERATURE: -40 Deg. C. To +85 Deg. C.

TERMINALS: Slotted pan head screws, #8-32 X 1/4

WEIGHT: 1.2 Lbs

STANDARD FEATURES:

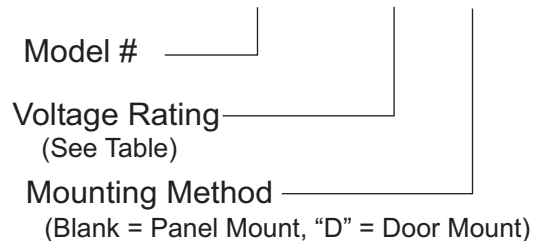
- Power On indication (LED)
- Form "C" Contacts
- Phase Reversal protection with LED indication
- Phase Unbalance protection (2% to 8% adjustable) with Indication (LED)
- Phase Loss protection with Indication (LED)
- Undervoltage protection (80%) with Indication (LED)
- Overvoltage protection (115%) with Indication (LED)
- Adjustable Trip Time Delay (Inst. To 30 Sec.)
- Adjustable Reset Time Delay (1Sec. To 5 Min)
- Automatic Reset
- Panel or Door Mounted
- Clear Cover
- Meets NEC service entrance requirements
- Maintains fault indication after loss of power



MODELS AVAILABLE:

Nominal VAC	Freq.	VAC Range
120	60	96 - 138
208	60	166 - 238
240	60	192 - 238
380	50	304 - 437
415	50	332 - 477
480	60	384 - 552
575	60	460 - 661

How To Order: EI SPVR - XXX - X





THREE PHASE VOLTAGE MONITOR

Model- EI SPVR

SPVR OPERATION

A correctly installed SPVR Voltage Sensing Relay will protect a three phase power system from Reverse Phase, Phase Unbalance, Phase Loss, Overvoltage and Undervoltage.

When operating in the normal condition the green “NORMAL” LED will be illuminated and the relay will be in the de-energized state.

In a Phase Reversal condition, the relay will instantaneously change state and the “Normal” LED indication will extinguish. If power is still available to all three phases, the four red LED’s on the front of the SPVR will blink in a counterclockwise direction.

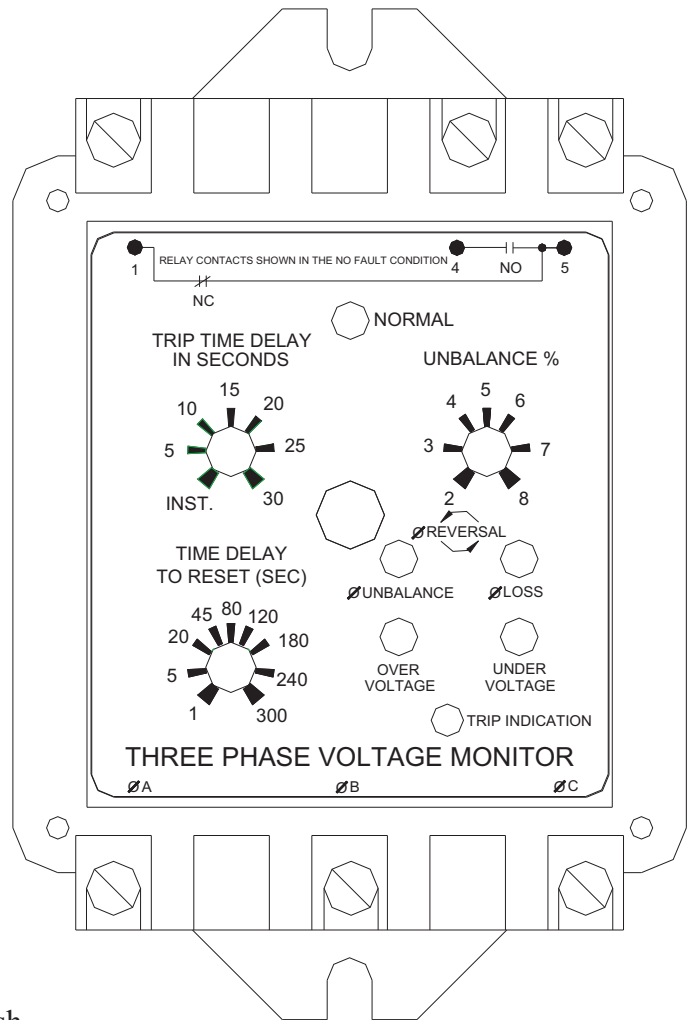
In a Phase Unbalance (2% to 8% adjustable), Phase Loss, Under Voltage (80% normal voltage) or Overvoltage (115% normal voltage) condition the corresponding LED will illuminate and the time delay will begin. If the condition has not cleared before exceeding the time delay (Instantaneous to 30 Sec. adjustable), the relay will change state and the “Normal” LED will extinguish.

For any fault, if the condition clears before the time delay is exceeded, the SPVR will clear the fault by resetting the time delay and the fault indication LED will extinguish.

Undervoltage will reset if the voltage returns to 90% and Overvoltage will reset if the voltage drops below 107%.

If power is not removed from the SPVR when the relay changes state, the SPVR will reset when power is restored to normal condition for the duration of the “RESET” time delay (1sec to 5 min. adjustable). The “Reset” time delay can be overridden by pressing the “Fault Indication” push button.

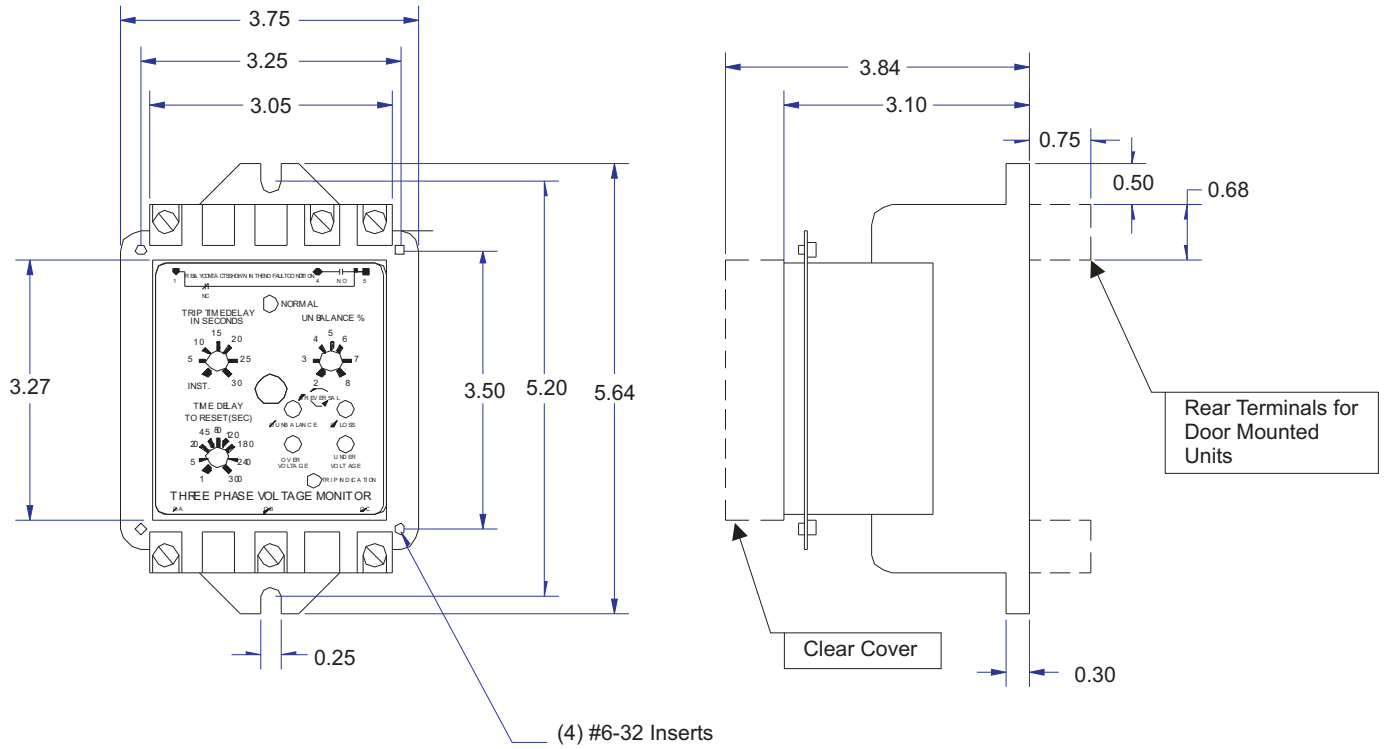
If power is removed from the SPVR, it will maintain the fault in memory for a minimum of 7 days (168 hours). This fault can be identified by pressing the “FAULT INDICATION” pushbutton on the face of the SPVR. The memory will reset at power up.



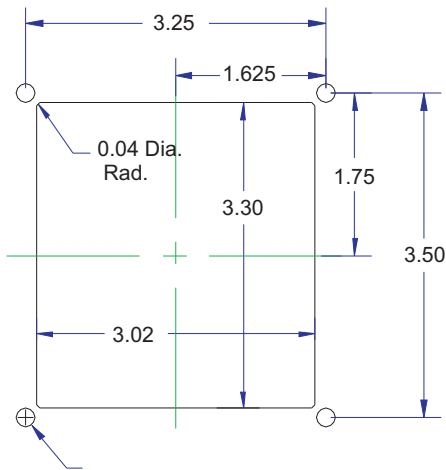


THREE PHASE VOLTAGE MONITOR

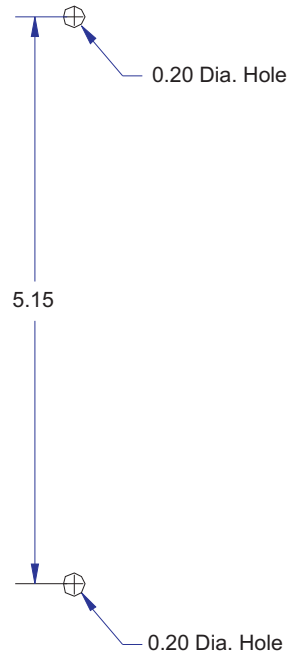
Model-EI SPVR TYPICAL SPVR INSTALATION:



Suggested mounting for Door Mount SPVR Relay



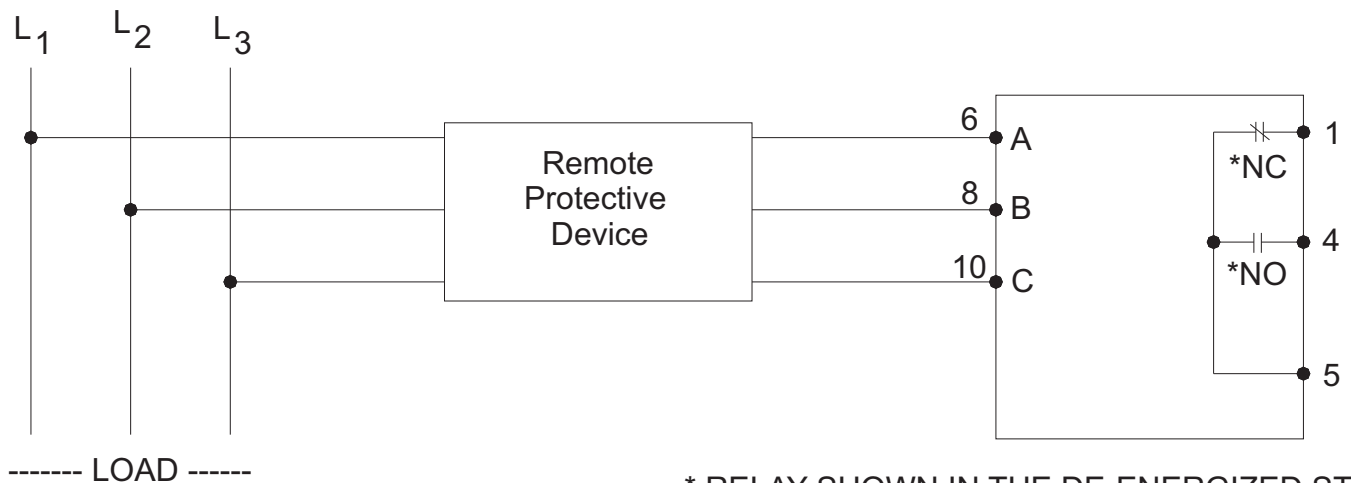
Suggested mounting for Panel Mount SPVR Relay





THREE PHASE VOLTAGE MONITOR

Model-EI SPVR TYPICAL SPVR INSTALATION:



* RELAY SHOWN IN THE DE-ENERGIZED STATE
(NO ALARM CONDITION)

Contact Ratings

RESISTIVE LOAD P.F.=1	16A at 250VAC
	16A at 30VDC
INDUCTIVE LOAD P.F.=0.4	8A at 250VAC
	8A at 30VDC